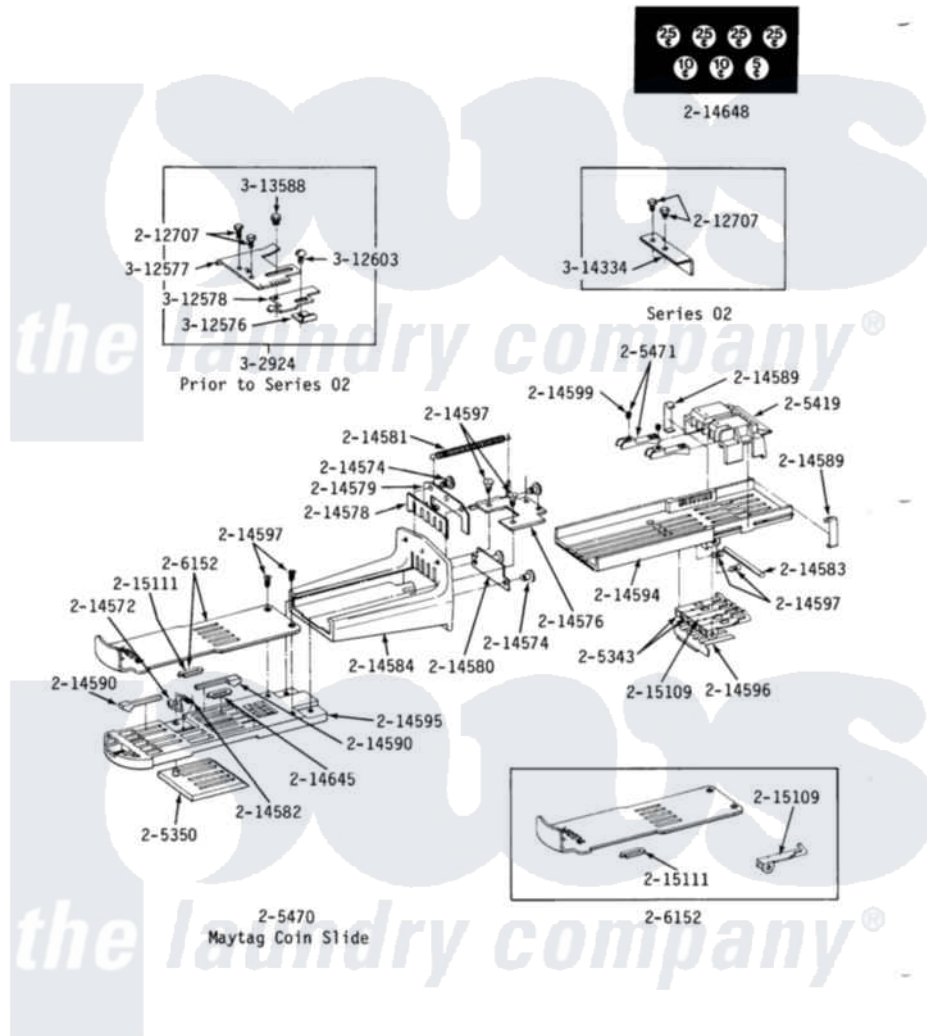


Maytag DE22CS 07 - MAYTAG COIN SLIDE

MODELS DE-DG22CS

MAYTAG COIN SLIDE



Maytag [Commercial Maytag DE22CS Dryer Parts](#) Parts Diagram 07 - MAYTAG COIN SLIDE

[Click on the part number to view part](#)

Item	Original Part Number	Replaced By	Status	Part Description
001	205343		Not Available	LOWER GAGE ARM ASSEMBLY
002	205350			Stop Block Assembly
003	NLA		Not Available	MEASURING BLOCK ASSEMBLY
004	NLA		Not Available	MAYTAG COIN SLIDE
005	NLA		Not Available	MOVABLE COIN GAGE
006	NLA		Not Available	SLIDE PLATE W/NICKEL INSERT
007	212707	3196385		Screw
008	214572		Not Available	ARM, RATCHET
009	NLA		Not Available	STUD FOR COIN SLIDE
010	NLA		Not Available	END BRACKET FOR SLIDE
011	214578			Gate For Coin Opening
012	NLA		Not Available	RETAINER FOR GATE
013	NLA		Not Available	RETAINER FOR GAGE SPRING
014	214581			Spring, Return

015	214582		Spring For Ratchet Arm
016	NLA	Not Available	PIN FOR LOWER GAGE ARM
017	214584	Not Available	HOUSING FOR COIN SLIDE
018	214589		Clip, Spring
019	NLA	Not Available	PLUG FOR COIN OPENING
020	214594	Not Available	BASE INSERT FOR HOUSING
021	NLA	Not Available	SLIDE BODY
022	214596		Spring For Lower Gage Arm
023	214597		Screw
024	NLA	Not Available	SET SCREW FOR GAGE
025	NLA	Not Available	DIME INSERT
026	214648		Decal, Coinage
027	NLA	Not Available	LOWER GAGE ARM
028	NLA	Not Available	NICKEL INSERT
029	Y302924	Not Available	ACTUATOR KIT-DRYER SLIDES
030	Y312576		Zero Slide Adjustment
031	Y312577		Bracket For Slide
032	Y312578		Slide Adjustment
033	NLA	Not Available	SCREW ADJUSTMENT ASSEMBLY
034	Y313588	488234	Screw 8-32 X 1/4
035	314334		Bracket For Coin Slide

