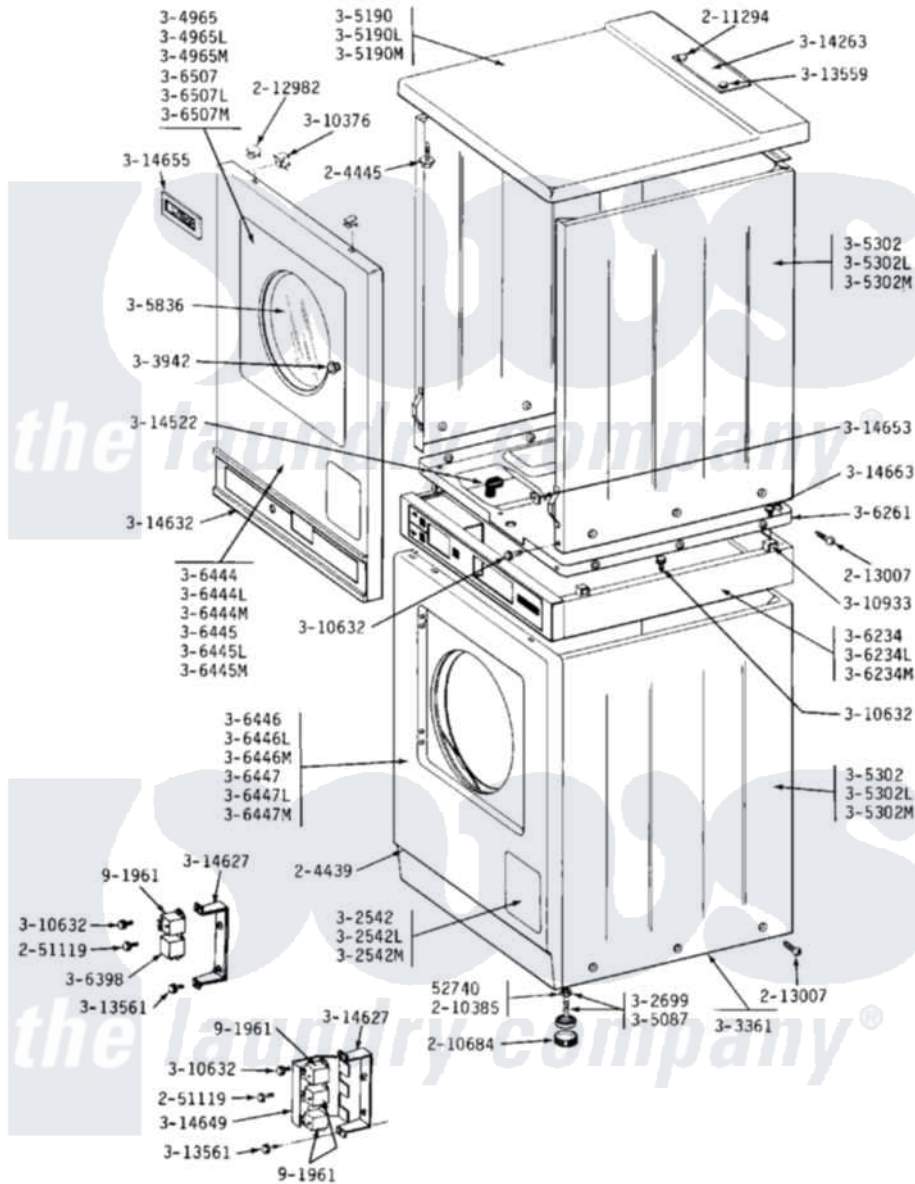


# Maytag DE23CD 01 - FRONT VIEW



Maytag Commercial Maytag DE23CD Dryer Parts Parts Diagram 01 - FRONT VIEW  
 Click on the part number to view part

| Item | Original Part Number    | Replaced By              | Status        | Part Description                        |
|------|-------------------------|--------------------------|---------------|---|
| 001  | <a href="#">Y052740</a> | <a href="#">62739</a>    |               | Nut, Lock                               |
| 002  | <a href="#">204439</a>  |                          |               | Screw And Fstner Assembly               |
| 003  | <a href="#">204445</a>  |                          |               | Screw And Fastener Assembly             |
| 004  | <a href="#">210385</a>  |                          |               | Lock Nut For Adjustable Leg             |
| 005  | <a href="#">210684</a>  |                          |               | Foot, Adjustable Leg                    |
| 006  | <a href="#">211294</a>  | <a href="#">90767</a>    |               | Screw, 8A X 3/8 HeX Washer Head Tapping |
| 007  | 212982                  | <a href="#">22001650</a> |               | Fastener, Spring                        |
| 008  | <a href="#">213007</a>  |                          |               | Xfor Cabinet See Cabinet, Back          |
| 009  | Y251119                 | <a href="#">3177991</a>  |               | Screw                                   |
| 013  | Y302699                 | <a href="#">22003428</a> |               | Leg, Adjustable                         |
| 014  | Y303361                 |                          | Not Available | BASE ASSY. (UPPER & LOWER)              |
| 015  | NLA                     |                          | Not Available | KNOB & SCREW                            |
| 016  | <a href="#">304965</a>  |                          |               | Door Complete-White                     |
| 017  | NLA                     |                          | Not Available | (ALM)                                   |

|     |                         |                           |               |                               |
|-----|-------------------------|---------------------------|---------------|-------------------------------|
| 018 | NLA                     |                           | Not Available | (H. WHEAT)                    |
| 019 | Y305087                 | <a href="#">22003544</a>  |               | Adjustable Leg W/Foot And Nut |
| 020 | Y305190                 | <a href="#">307104</a>    |               | Top Cover Assembly            |
| 021 | NLA                     |                           | Not Available | (ALM)                         |
| 022 | NLA                     |                           | Not Available | (H. WHEAT)                    |
| 023 | NLA                     |                           | Not Available | CABINET (WHT)                 |
| 024 | NLA                     |                           | Not Available | (ALM)                         |
| 025 | NLA                     |                           | Not Available | (H. WHEAT)                    |
| 026 | NLA                     |                           | Not Available | INNER DOOR W/KNOB & SCREW     |
| 027 | NLA                     |                           | Not Available | COUPLING COLLAR (WHT)         |
| 028 | NLA                     |                           | Not Available | (ALM)                         |
| 029 | NLA                     |                           | Not Available | (H. WHEAT)                    |
| 030 | <a href="#">306261</a>  |                           |               | Base Assembly, Upper Dryer    |
| 031 | <a href="#">306398</a>  |                           |               | Relay, Heater                 |
| 032 | NLA                     |                           | Not Available | FRONT PANEL (WHT)             |
| 033 | NLA                     |                           | Not Available | (ALM)                         |
| 034 | NLA                     |                           | Not Available | (H. WHEAT)                    |
| 035 | NLA                     |                           | Not Available | FRONT PANEL (WHT)             |
| 036 | NLA                     |                           | Not Available | (ALM)                         |
| 037 | NLA                     |                           | Not Available | (H. WHEAT)                    |
| 038 | NLA                     |                           | Not Available | DOOR PANEL (WHT)              |
| 039 | NLA                     |                           | Not Available | (ALM)                         |
| 040 | NLA                     |                           | Not Available | (H. WHEAT)                    |
| 041 | <a href="#">Y310376</a> |                           |               | Clip, Door Switch Harness     |
| 042 | Y310632                 | <a href="#">1163839</a>   |               | Screw                         |
| 043 | 310933                  | <a href="#">33002194</a>  |               | Nut, Speed                    |
| 044 | <a href="#">Y313559</a> |                           |               | Screw                         |
| 045 | <a href="#">Y313561</a> |                           |               | Screw----NA                   |
| 046 | NLA                     |                           | Not Available | TOP COVER PLATE               |
| 047 | <a href="#">314522</a>  |                           |               | Grommet, Strain Relief        |
| 048 | <a href="#">314627</a>  |                           |               | Bracket, Relays               |
| 049 | NLA                     |                           | Not Available | UPPER CONTROL EXTRUSION       |
| 050 | NLA                     |                           | Not Available | RETAINER, FRONT PANEL         |
| 051 | NLA                     |                           | Not Available | NAME PLATE                    |
| 052 | 314663                  | <a href="#">214354</a>    |               | Screw, Top Cover To Cabnt.    |
| 053 | 901961                  | <a href="#">W10133335</a> |               | Relay, Motor                  |

*the laundry company*<sup>®</sup>