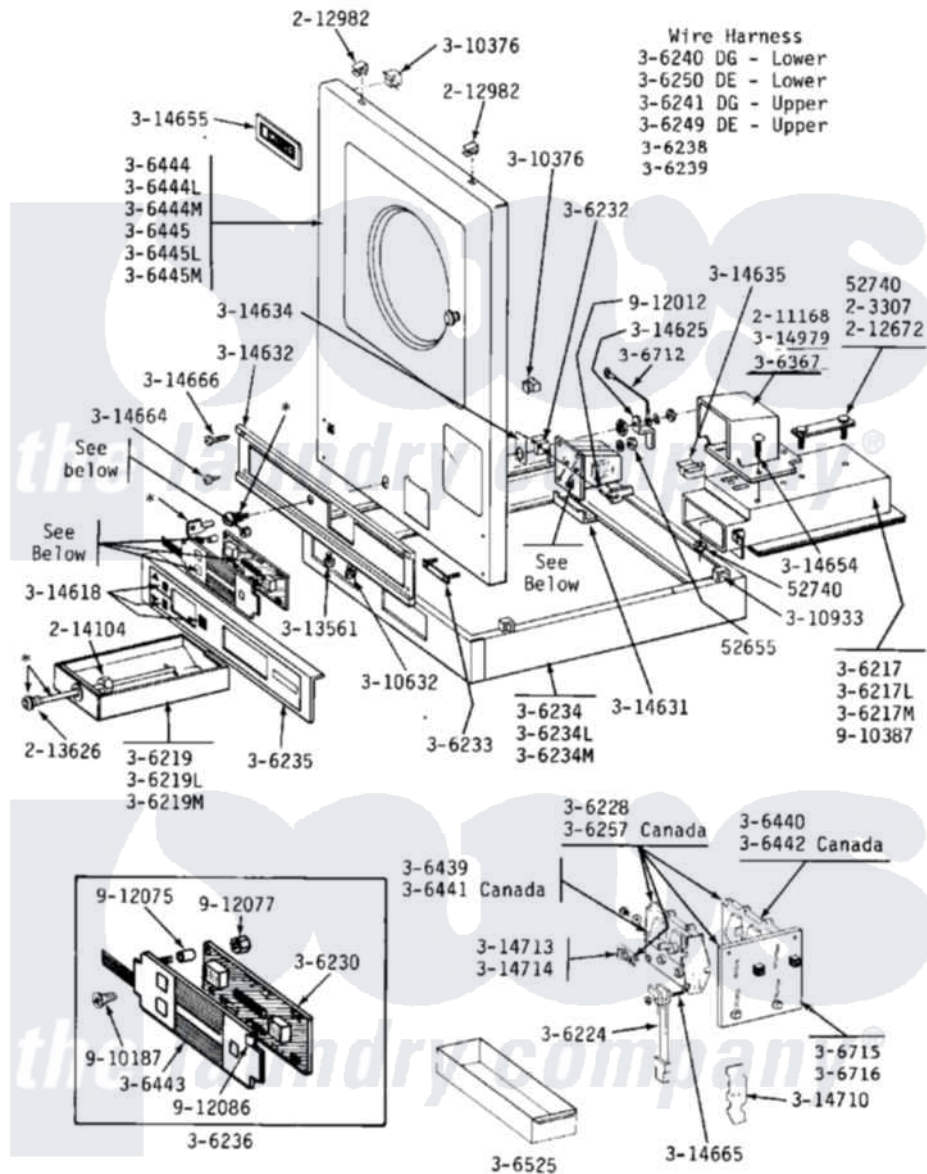


Maytag DE23CD 03 - CONTROLS & UPPER DRYER FRONT PANEL



*Contact your commercial laundry distributor for locks and keys.

[Maytag Commercial Maytag DE23CD Dryer Parts](#) Parts Diagram 03 - CONTROLS & UPPER DRYER FRONT PANEL
 Click on the part number to view part

Item	Original Part Number	Replaced By	Status	Part Description
001	Y052655			Hex Nut, No.8-32
002	Y052740	62739		Nut, Lock
003	NLA		Not Available	MTG. STRAP---NA
004	211168	W10139210		Screw, 8-18 X 5/16
005	NLA		Not Available	WASHER
006	NLA		Not Available	WASHER
007	212982	22001650		Fastener, Spring
008	NLA		Not Available	SPRING WASHER, LOCK
009	214104			Reinforcing Nut For Coin BO
010	NLA		Not Available	CNT. HARNESS MICROPROCESSOR
011	NLA		Not Available	(ALM)
012	NLA		Not Available	(H. WHEAT)
013	306219	308143		Tray, Coin
014	NLA		Not Available	(ALM)
015	NLA		Not Available	(H. WHEAT)
016	Y306224		Not Available	COIN SENSOR SWITCH

017	306228		Not Available	DUAL COIN ACCEPTOR
018	NLA		Not Available	CONTROL BOARD ASSEMBLY
019	Y306232			Switch, Access
020	306233		Not Available	STRAP, COIN ACCEPTOR
021	NLA		Not Available	COUPLING COLLAR (WHT)
022	NLA		Not Available	(ALM)
023	NLA		Not Available	(H. WHEAT)
024	NLA		Not Available	LOWER PANEL----NA
025	NLA		Not Available	CONTROL & TOUCH PAD ASSY.
026	NLA		Not Available	EDGE BOARD CONNECTOR
027	NLA		Not Available	EDGE BOARD CONNECTOR
030	306249		Not Available	WIRE HARNESS (UPPER, ELEC)
031	306250		Not Available	WIRE HARNESS (LOWER, ELEC)
032	NLA		Not Available	DUAL COIN ACCEPTOR (CAN)
033	NLA		Not Available	COIN DROP ASSEMBLY----NA
034	306439			REJECTOR ASSEMBLY-\$.10
035	NLA		Not Available	REJECTOR ASSEMBLY (\$.25)
036	NLA		Not Available	REJECTOR ASSY. (\$.10 CAN.)
037	NLA		Not Available	REJECTOR ASSY. (\$.25 CAN.)
038	306443			Touch Pad Assembly
039	NLA		Not Available	FRONT PANEL (WHT)
040	NLA		Not Available	(ALM)
041	NLA		Not Available	(H. WHEAT)
045	NLA		Not Available	COIN SEPARATOR ASSEMBLY
046	Y306712	Y303981		Ground Wire For Latch
047	NLA		Not Available	FRONT PLATE W/GND. WIRES
048	Y306716			Front Plate Assembly
049	Y310376			Clip, Door Switch Harness
050	Y310632	1163839		Screw
051	310933	33002194		Nut, Speed
052	Y313561			Screw----NA
053	314618			Lens
054	314625	206637		Lock Kit
055	314631			Bracket, Coin Mechanism
056	NLA		Not Available	UPPER CONTROL EXTRUSION
057	314634			Bracket, Access Switch
058	314635			Chute, Coin
059	314654			Bolt, Coin Drop Cover
060	NLA		Not Available	NAME PLATE
061	314664	212277		Screw, No.8 X 1/2 Inch
062	314665			Screw, Switch Assembly
063	314666		Not Available	SCREW, PANEL (UPR)
064	314710		Not Available	COIN SLOT COVER (ACCESS)
065	314713			Balance Arm W/Weight-\$.10

066	NLA	Not Available	BALANCE ARM W/WEIGHT (\$25)
067	314979	Not Available	SHIELD, ACCESS SWITCH
068	910187		Screw
069	912012	3400409	Screw
070	912075		Spacer, Circuit Board
071	912077		Locknut, Reader Harness
072	912086		Clip, Speed

