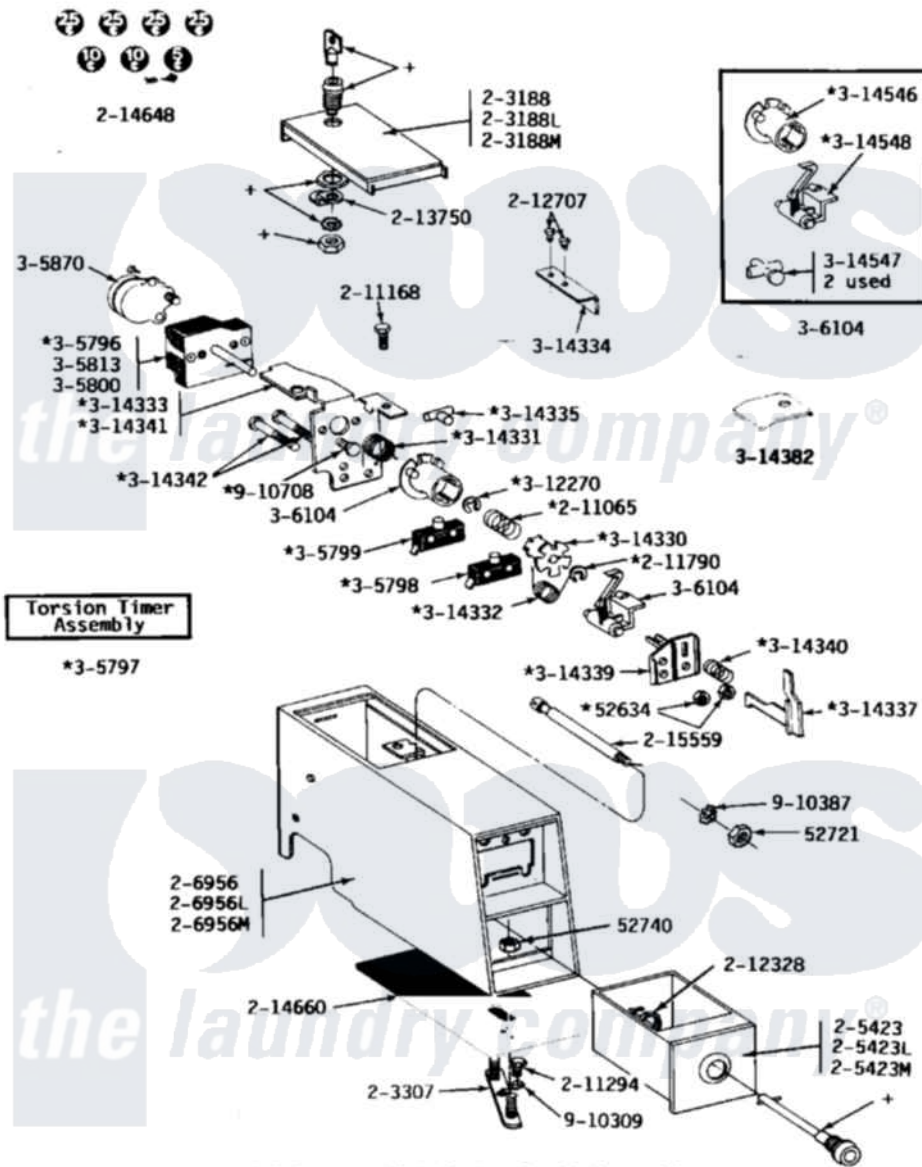


Maytag DE24CS 02 - CS CONTROL PANEL/COIN BOX



Maytag [Commercial Maytag DE24CS Dryer Parts](#) Parts Diagram 02 - CS CONTROL PANEL/COIN BOX
 Click on the part number to view part

| Item | Original Part Number | Replaced By | Status | Part Description |
|------|-------------------------|---------------------------|---------------|---------------------------|
| 001 | Y052634 | 701719 | | Nut, Hex |
| 002 | Y052721 | | | Nut, Terminal Block Plate |
| 003 | Y052740 | 62739 | | Nut, Lock |
| 004 | 203188 | | Not Available | TIMER ACCESS DOOR (WHT) |
| 005 | 203188L | | Not Available | ACCESS DOOR-ALMOND |
| 006 | 203188M | | Not Available | ACCESS DOOR-HARVEST WHEAT |
| 007 | NLA | | Not Available | MTG. STRAP---NA |
| 008 | 205423 | 208883 | | Coin Box K |
| 009 | 205423L | 208883 | | Coin Box K |
| 010 | 205423M | 208883 | | Coin Box K |
| 011 | 206956 | 22001405 | | Case, Coin Slide |
| 012 | 206956L | 22001405 | | Case, Coin Slide |
| 013 | 206956M | 22001405 | | Case, Coin Slide |
| 014 | 211065 | | | Spring, Index Wheel |
| 015 | 211168 | W10139210 | | Screw, 8-18 X 5/16 |

| | | | |
|-----|-------------------------|---------------------------|---|
| 016 | 211790 | | Lock Ring For Timer Shaft |
| 017 | 211294 | 90767 | Screw, 8A X 3/8 HeX Washer Head Tapping |
| 018 | 212328 | W10139762 | Hex Nut, 3/4-27 |
| 019 | 212707 | 3196385 | Screw |
| 020 | 213750 | W10133266 | Cam-Lock |
| 021 | 214648 | | Decal, Coinage |
| 022 | 214660 | | Gasket, Control Center |
| 023 | 215559 | | Bolt, Coin Slide Locking |
| 024 | 305796 | | Timer |
| 025 | 305797 | | Torsion Timer Assembly Complete |
| 026 | 305798 | Not Available | BYPASS SWITCH FOR MOTOR |
| 027 | Y305799 | | Bypass Switch For Heater |
| 028 | 305800 | | Wire Harness For Timer |
| 029 | 305813 | | Part Not Available Part Not Used |
| 030 | 305870 | | Timer Motor |
| 031 | 306104 | | Actuator Switch Kit |
| 032 | Y312270 | | Clip, Spring Retainer |
| 033 | 314330 | Not Available | DRIVER FOR INDEX WHEEL (NOT INCLUDED W/KIT) |
| 034 | 314331 | | Spring, Torsion Return |
| 035 | 314332 | | Spring, Actuator |
| 036 | 314333 | | Timer Mounting Bracket |
| 037 | 314334 | | Bracket For Coin Slide |
| 038 | 314335 | | Peg, Tine Adjustment |
| 039 | 314337 | 33002968 | Slider |
| 040 | 314339 | | Switch And Slider Bracket |
| 041 | NLA | Not Available | HELICAL SPRING ----N |
| 042 | NLA | Not Available | INSTRUCTION LABEL |
| 043 | NLA | Not Available | SCREW |
| 044 | NLA | Not Available | STOP FOR TIMER MECHANISM |
| 045 | 314546 | | Wheel, Index |
| 046 | 314547 | Y308109 | Slide And Adj. Return Bracket |
| 047 | 314548 | 33002967 | Actuator, Switch |
| 048 | 910309 | | Washer, Mounting Strap |
| 049 | 910387 | | Lockwasher, Vault Assembly |
| 050 | 910708 | 488234 | Screw 8-32 X 1/4 |