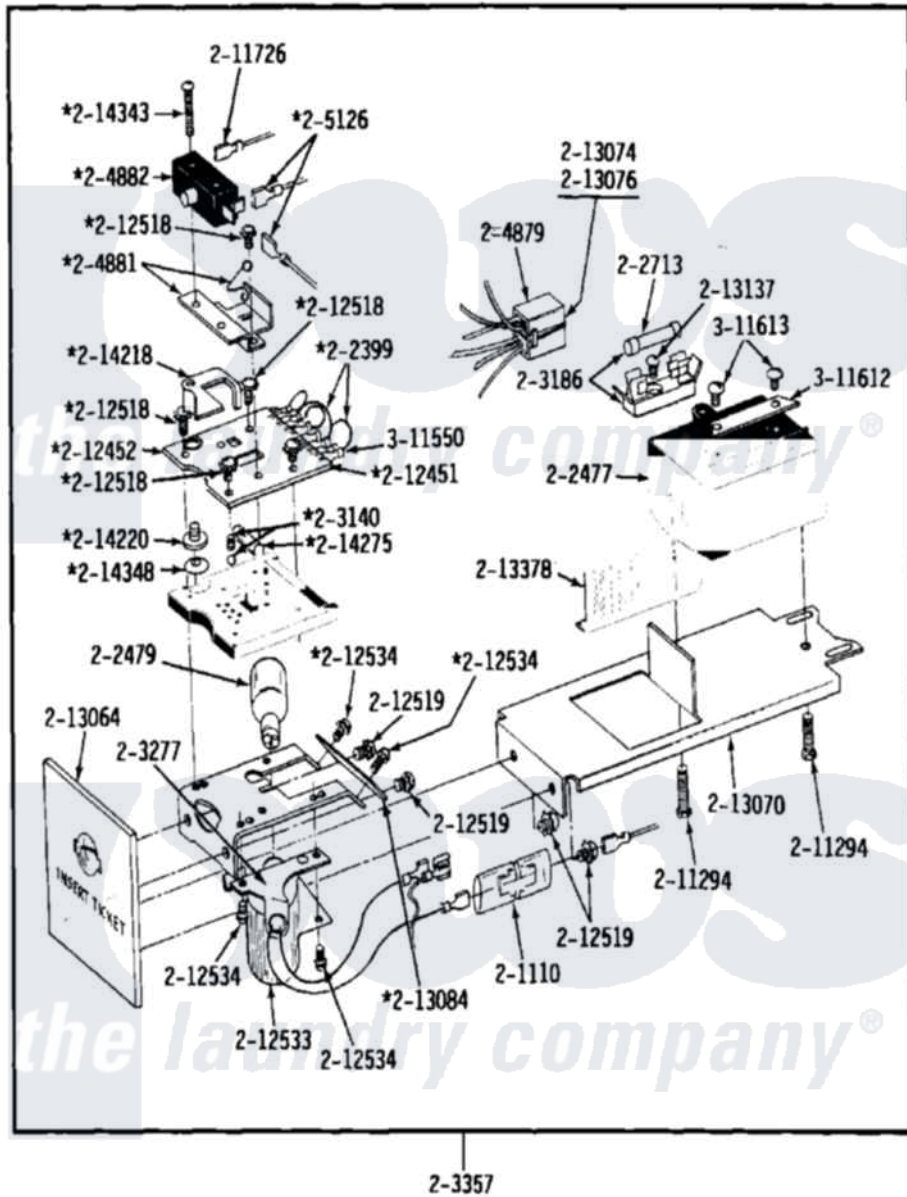


# Maytag DE24CT 03 - CT CONTROL CENTER COMPONENTS



Maytag [Commercial Maytag DE24CT Dryer Parts](#) Parts Diagram 03 - CT CONTROL CENTER COMPONENTS  
 Click on the part number to view part

Item	Original Part Number	Replaced By	Status	Part Description
001	Y201110		Not Available	CONNECTOR, WIRE (INDIC. LIGHT)
002	NLA		Not Available	JUMPER WIRE (BLACK)
003	202477	<a href="#">22003292</a>		Control As
004	202479	<a href="#">A3167501</a>		Lamp Oven, Int.
005	<a href="#">202509</a>			Ticket Control Assembly
006	202713	<a href="#">22001555</a>		Fuse
007	<a href="#">203140</a>			Contact Ball Kit
008	NLA		Not Available	FUSE BLOCK WITH FUSE
009	NLA		Not Available	LAMP SOCKET WITH BRACKET
010	NLA		Not Available	TICKET RECEIVER ASSEMBLY
011	NLA		Not Available	HARNESS FOR TICKET CONTROL
012	<a href="#">204881</a>			Cam Plate Assembly
013	204882		Not Available	SWITCH FOR TICKET CONTROL

014	NLA		Not Available	SPADE CONNECTOR
015	<a href="#">211294</a>	<a href="#">90767</a>		Screw, 8A X 3/8 HeX Washer Head Tapping
016	211737	<a href="#">248562</a>		Terminal
017	NLA		Not Available	OVERLAY FOR CIRCUIT BOARD
018	<a href="#">212452</a>			Board, Circuit
019	NLA		Not Available	SEMS SCREW (No.4-40 X 1/2 INC)
020	<a href="#">212519</a>	<a href="#">488234</a>		Screw 8-32 X 1/4
021	<a href="#">212533</a>			SHIELD FOR HEAT LAMP
022	NLA		Not Available	SCREW, SHIELD TO CONTROL
023	NLA		Not Available	FRONT PLATE F/TICKET CONTRO
024	NLA		Not Available	BRACKET FOR TICKET ASSEMBLY
025	<a href="#">213074</a>			Pin Receptacle For Plug
026	NLA		Not Available	PIN FOR PLUG
027	NLA		Not Available	TICKET DEFLECTOR
028	NLA		Not Available	SCREW (No.6 X 1/4 INCH)
029	NLA		Not Available	SHIELD
030	<a href="#">214218</a>			Lever, Switch
031	<a href="#">214220</a>			Adjustment Thumb Wheel
032	<a href="#">214275</a>			Roller For Cam
033	NLA		Not Available	SCREW
034	NLA		Not Available	SPRING WASHER
035	Y311550		Not Available	SPADE (MINIATURE)
036	311612		Not Available	COVER, CIRCUIT BOARD TERMINALS
037	311613	<a href="#">Y311711</a>		Screw, Fuse Block

