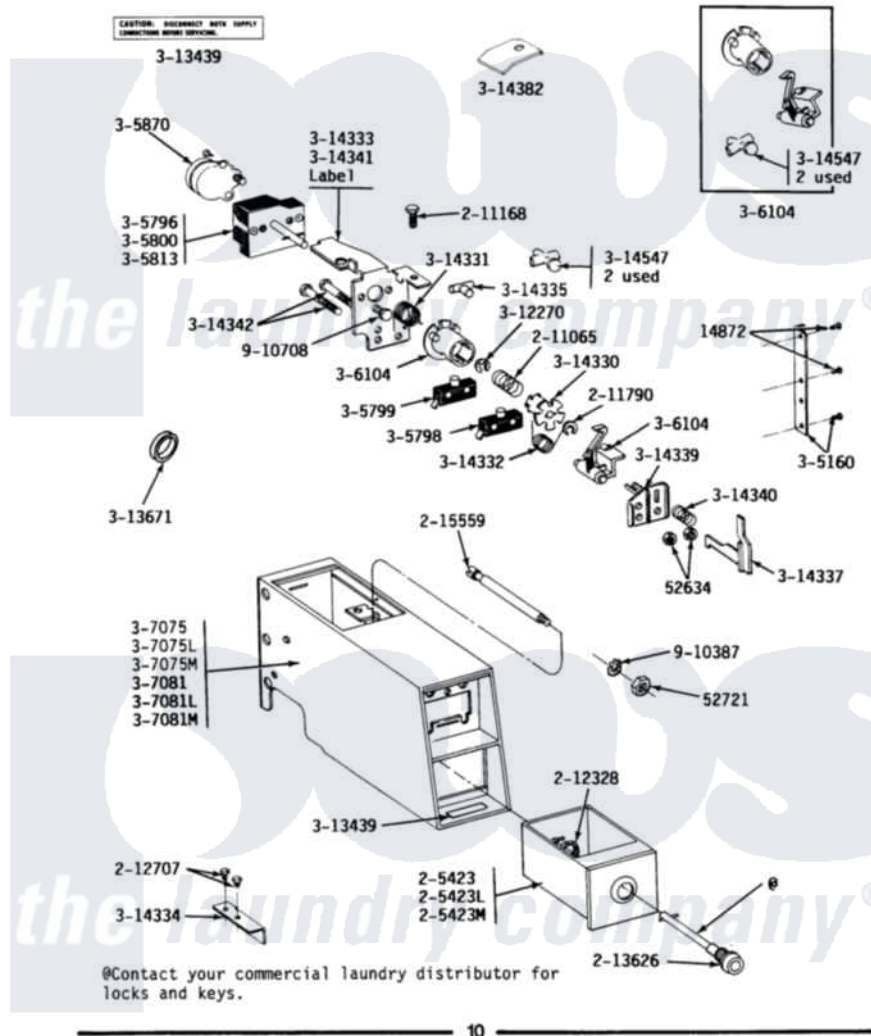


MODEL DE-DG25CS CS CONTROL CENTER



Maytag [Commercial Maytag DE25CS Dryer Parts](#) Parts Diagram 04 - CONTROL CENTER
 Click on the part number to view part

Item	Original Part Number	Replaced By	Status	Part Description
001	Y014872			Screw, Coin Meter Stop -
002	Y052634	701719		Nut, Hex
003	Y052721			Nut, Terminal Block Plate
004	205423	208883		Coin Box K
"	205423L	208883		Coin Box K
005	211065			Spring, Index Wheel
006	211168	W10139210		Screw, 8-18 X 5/16
007	211790			Lock Ring For Timer Shaft
008	212328	W10139762		Hex Nut, 3/4-27
009	212707	3196385		Screw
010	NLA		Not Available	SPRING WASHER FOR LOCK
011	215559			Bolt, Coin Slide Locking
012	NLA		Not Available	COIN METER STOP WITH SCREWS
013	305796			Timer
014	305798		Not Available	BYPASS SWITCH FOR

014	305750	Not Available	MOTOR
015	Y305799		Bypass Switch For Heater
016	305800		Wire Harness For Timer
017	305813		Part Not Available Part Not Used
018	305870		Timer Motor
019	306104		Actuator Switch Kit
020	NLA	Not Available	WIRE HARNESS UPPER DE
021	NLA	Not Available	WIRE HARNESS DE25CS
022	NLA	Not Available	WIRE HARNESS UPPER DE
023	NLA	Not Available	WIRE HARNESS LOWER DE
024	NLA	Not Available	COIN METER BOX ASSEMBLY - D25C
025	Y307081		Coin Meter Weld Assembly
"	NLA	Not Available	COIN METER WELD ASSY-ALM---NA
026	Y312270		Clip, Spring Retainer
027	Y313439	Not Available	INSTRUCTION LABEL
028	Y313671	33001303	Grommet, Plate Hole
029	314330	Not Available	DRIVER FOR INDEX WHEEL (NOT INCLUDED W/KIT)
030	314331		Spring, Torsion Return
031	314332		Spring, Actuator
032	314333		Timer Mounting Bracket
033	314334		Bracket For Coin Slide
034	314335		Peg, Tine Adjustment
035	314337	33002968	Slider
036	314339		Switch And Slider Bracket
037	NLA	Not Available	HELICAL SPRING ---N
038	NLA	Not Available	INSTRUCTION LABEL
039	NLA	Not Available	SCREW
040	NLA	Not Available	STOP FOR TIMER MECHANISM
041	314547	Y308109	Slide And Adj. Return Bracket
042	910387		Lockwasher, Vault Assembly
043	910708	488234	Screw 8-32 X 1/4

