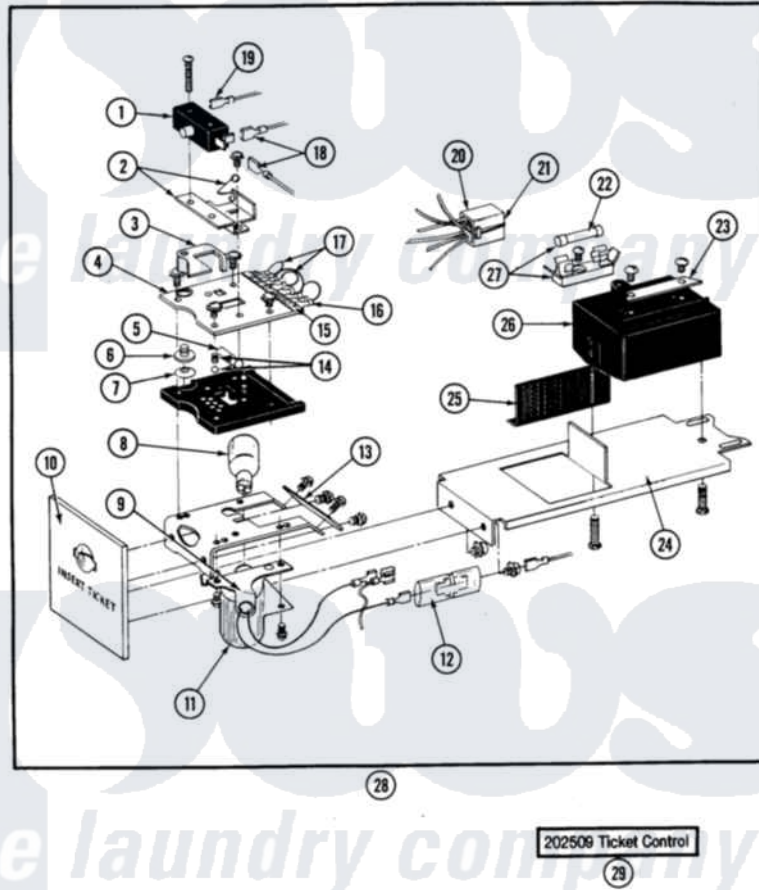


Maytag DE26CT 05 - CONTROL CENTER COMPONENTS - CT MODELS

SECTION: CT CONTROL CENTER COMPONENTS
 MODEL: DE-D626CT



*Contact your commercial distributor for locks, keys, tickets & ticket dispensers
 Issue Date: 11/90

Maytag [Commercial Maytag DE26CT Dryer Parts](#) Parts Diagram 05 - CONTROL CENTER COMPONENTS - CT MODELS

[Click on the part number to view part](#)

Item	Original Part Number	Replaced By	Status	Part Description
001	204882		Not Available	SWITCH FOR TICKET CONTROL
"	NLA		Not Available	SCREW
002	204881			Cam Plate Assembly
"	NLA		Not Available	SEMS SCREW (No.4-40 X 1/2 INC)
003	214218			Lever, Switch
004	212452			Board, Circuit
"	NLA		Not Available	SEMS SCREW (No.4-40 X 1/2 INC)
005	214275			Roller For Cam
006	214220			Adjustment Thumb Wheel
007	NLA		Not Available	SPRING WASHER
008	202479	A3167501		Lamp Oven, Int.
009	NLA		Not Available	LAMP SOCKET W/BACKET
010	212519	488234		Screw 8-32 X 1/4
"	NLA		Not Available	FRONT PLATE, TICKET

	NLA		Not Available	CONTROL
011	212533			SHIELD FOR HEAT LAMP
"	NLA		Not Available	SCREW, SHIELD
012	Y201110		Not Available	CONNECTOR, WIRE (INDIC. LIGHT)
013	NLA		Not Available	TICKET DEFLECTOR
"	NLA		Not Available	SCREW, SHIELD
014	203140			Contact Ball Kit
015	NLA		Not Available	OVERLAY, CIRCUIT BOARD
016	Y311550		Not Available	SPADE (MINIATURE)
017	NLA		Not Available	JUMPER WIRE (BLACK)
018	NLA		Not Available	SPADE CONNECTOR
019	211737	248562		Terminal
020	NLA		Not Available	HARNESS, TICKET CONTROL
021	213074			Pin Receptacle For Plug
"	NLA		Not Available	PIN, PLUG
022	202713	22001555		Fuse
023	311612		Not Available	COVER, CIRCUIT BOARD TERMINALS
"	311613	Y311711		Screw, Fuse Block
024	211294	90767		Screw, 8A X 3/8 HeX Washer Head Tapping
"	NLA		Not Available	BRACKET, TICKET ASSEMBLY
025	NLA		Not Available	SHIELD
026	202477	22003292		Control As
027	NLA		Not Available	FUSE BLOCK W/FUSE
028	NLA		Not Available	TICKET RECEIVER ASSEMBLY
029	202509			Ticket Control Assembly

