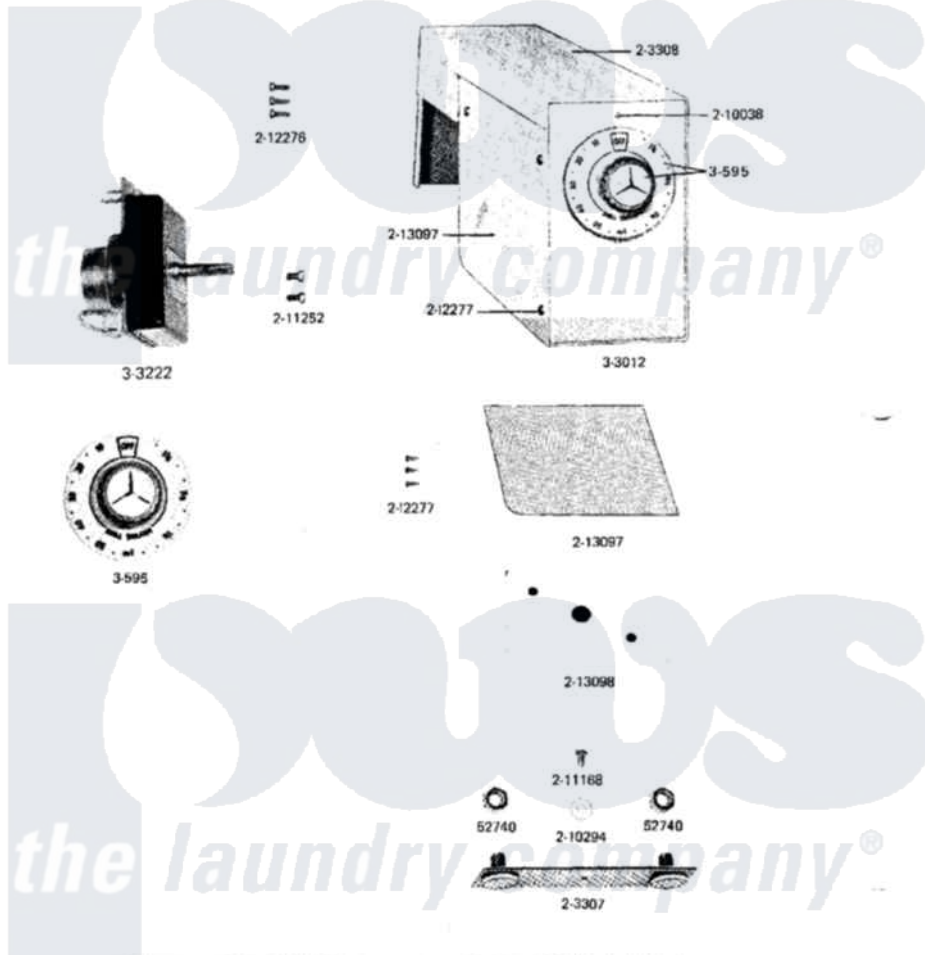


MODELS DE & DG16  
CA CONTROL CENTER



Copyright 1968 THE MAYTAG COMPANY • Newton, Iowa • Printed in U.S.A. (Revised 11-73)

Maytag [Commercial Maytag DG16CA Dryer Parts](#) Parts Diagram 03 - CA CONTROL CENTER  
Click on the part number to view part

Item	Original Part Number	Replaced By	Status	Part Description
001	NLA		Not Available	KNOB AND DIAL
002	NLA		Not Available	CONTROL CENTER-WHITE
003	<a href="#">Y303222</a>			TIMER RPR
004	NLA		Not Available	MTG. STRAP----NA
005	NLA		Not Available	OUTER CASE-WHITE
006	NLA		Not Available	BUTTON MARKER
007	210294	<a href="#">910309</a>		Washer, Mounting Strap
008	211168	<a href="#">W10139210</a>		Screw, 8-18 X 5/16
009	<a href="#">211252</a>			Screw, Ground Wire
010	212276	<a href="#">W10116760</a>		Screw
011	<a href="#">212277</a>			Screw, No.8 X 1/2 Inch
012	NLA		Not Available	ACCESS DOOR FOR TIMER
013	NLA		Not Available	GASKET UNDER CONTROL CENTER
014	<a href="#">Y052740</a>	<a href="#">62739</a>		Nut, Lock