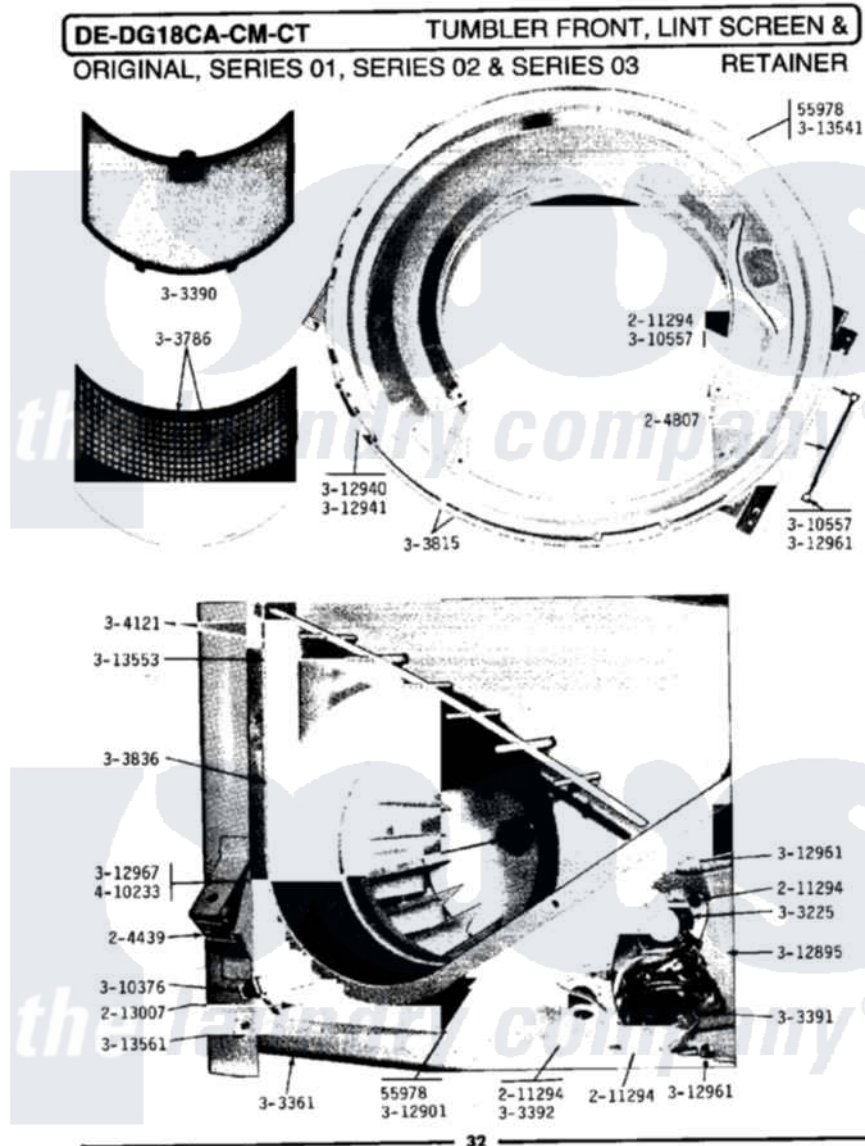


# Maytag DG18CT 12 - TUMBLER FRONT, LINT SCREEN & RETAINER



Maytag [Commercial Maytag DG18CT Dryer Parts](#) Parts Diagram 12 - TUMBLER FRONT, LINT SCREEN & RETAINER  
 Click on the part number to view part

Item	Original Part Number	Replaced By	Status	Part Description
001	<a href="#">Y055978</a>			Rubber Adhesive, 2 Oz Tube
002	<a href="#">204439</a>			Screw And Fstner Assembly
003	<a href="#">204807</a>			Ground Wire, Supp. Plte To Top Cover
004	<a href="#">210720</a>			Rivet, Bearing To Tumbler Frnt
005	<a href="#">211294</a>	<a href="#">90767</a>		Screw, 8A X 3/8 Hex Washer Head Tapping
006	<a href="#">213007</a>			Xfor Cabinet See Cabinet, Back
007	Y303361		Not Available	BASE ASSY. (UPPER & LOWER)
008	Y303390		Not Available	LINT SCREEN
009	Y303391	<a href="#">33303391</a>		Thermostat, Cycling
010	<a href="#">303392</a>			Thermostat, Cycling
011	Y303786		Not Available	LINT SCREEN WITH RETAINER
012	Y303815	<a href="#">33001231</a>		Front- Tumbler
013	<a href="#">Y303836</a>			Blower Wheel Assembly And Clamp

014	NLA		Not Available	OUTLET GRID AND DUCT
015	Y304810		Not Available	OUTLET DUCT ASSEMBLY---S
016	<a href="#">Y310376</a>			Clip, Door Switch Harness
017	<a href="#">310557</a>			Washer
018	Y312895		Not Available	COVER FOR BLOWER---NA
019	<a href="#">Y312901</a>			Seal, Housing Cover
020	<a href="#">312940</a>	<a href="#">306508</a>		Tumbler Bearing Kit ---W
021	312941	<a href="#">306508</a>		Tumbler Bearing Kit ---W
022	Y312961	<a href="#">W10116751</a>		Screw
023	Y312964		Not Available	OUTLET DUCT - OUTER HALF
024	<a href="#">312967</a>			Clamp, Blower Housing
025	Y313541	<a href="#">33313541</a>		Seal- Tumbler
026	NLA		Not Available	GRID FOR OUTLET DUCT
027	<a href="#">Y313561</a>			Screw---NA
028	<a href="#">Y313795</a>			Guide For Lint Screen
029	<a href="#">Y313796</a>			Lint Seal
030	410233	<a href="#">9703438</a>		Ring-Retrnr

