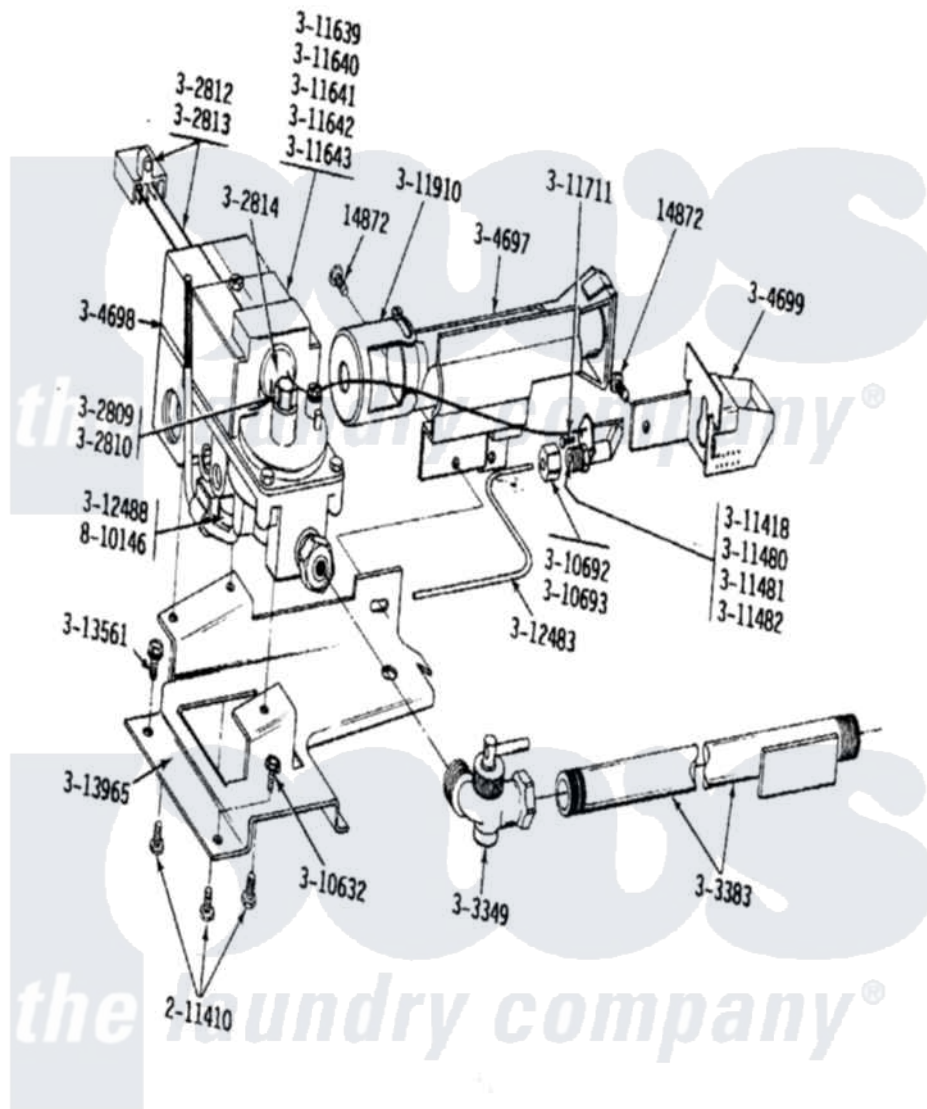


# Maytag DG19CD 08 - 50HZ GAS VALVE



Maytag [Commercial Maytag DG19CD Dryer Parts](#) Parts Diagram 08 - 50HZ GAS VALVE  
 Click on the part number to view part

Item	Original Part Number	Replaced By	Status	Part Description
001	<a href="#">Y014872</a>			Screw, Coin Meter Stop -
002	NLA		Not Available	SCREW, HEX HD No.8 X 3/8 INCH
003	NLA		Not Available	CONVERSION KIT (NAT.TO LPG)
004	<a href="#">301539</a>			Conversion Kit
005	NLA		Not Available	SCREW ASSEMBLY, LEAK LIMIT
006	NLA		Not Available	SCREW ASSM - BLUE BLOCK OPE
007	<a href="#">Y302812</a>			Main Burner Solenoid
008	Y302813		Not Available	MAIN BURN. SOLENOID (240-50)
009	NLA		Not Available	PILOT WITH PRESSURE SWITCH
010	<a href="#">Y303349</a>			Angle Shut-Off, Gas Valve
011	Y303383	<a href="#">33001735</a>		Pipe And Bracket Assembly Series 18 Not Needed Use Vavle

012	<a href="#">Y304697</a>		BURNER ASSEMBLY
013	Y304698	Not Available	GAS VALVE (240-50)
014	NLA	Not Available	PILOT SHIELD ASSEMBLY
015	Y310632	<a href="#">1163839</a>	Screw
016	310692	Not Available	COMPRESSION NUT
017	Y310693	Not Available	COMPRESSION SLEEVE
018	<a href="#">Y311418</a>		Pilot Orifice
019	<a href="#">Y311480</a>		Pilot Orifice
020	NLA	Not Available	PILOT ORIFICE (MFG.)
021	<a href="#">Y311482</a>		Pilot Orifice
022	Y311639	<a href="#">63-3570</a>	Burner Orifice
023	NLA	Not Available	ORIFICE FOR MAIN BURNER
024	NLA	Not Available	ORIFICE FOR MAIN BURNER
025	NLA	Not Available	ORIFICE, MAIN BURNER (MFG)
026	NLA	Not Available	ORIFICE FOR MAIN BURNER
027	<a href="#">Y311711</a>		Screw, Fuse Block
028	NLA	Not Available	AIR SHUTTER
029	<a href="#">Y312483</a>		PILOT TUBE
030	NLA	Not Available	GASKET FOR PILOT
031	<a href="#">Y313561</a>		Screw---NA
032	NLA	Not Available	GAS CONTROL BRACKET
033	NLA	Not Available	GAS BURNER INSTRUCT LABEL
034	NLA	Not Available	SCREW

*the laundry company*<sup>®</sup>

*the laundry company*<sup>®</sup>