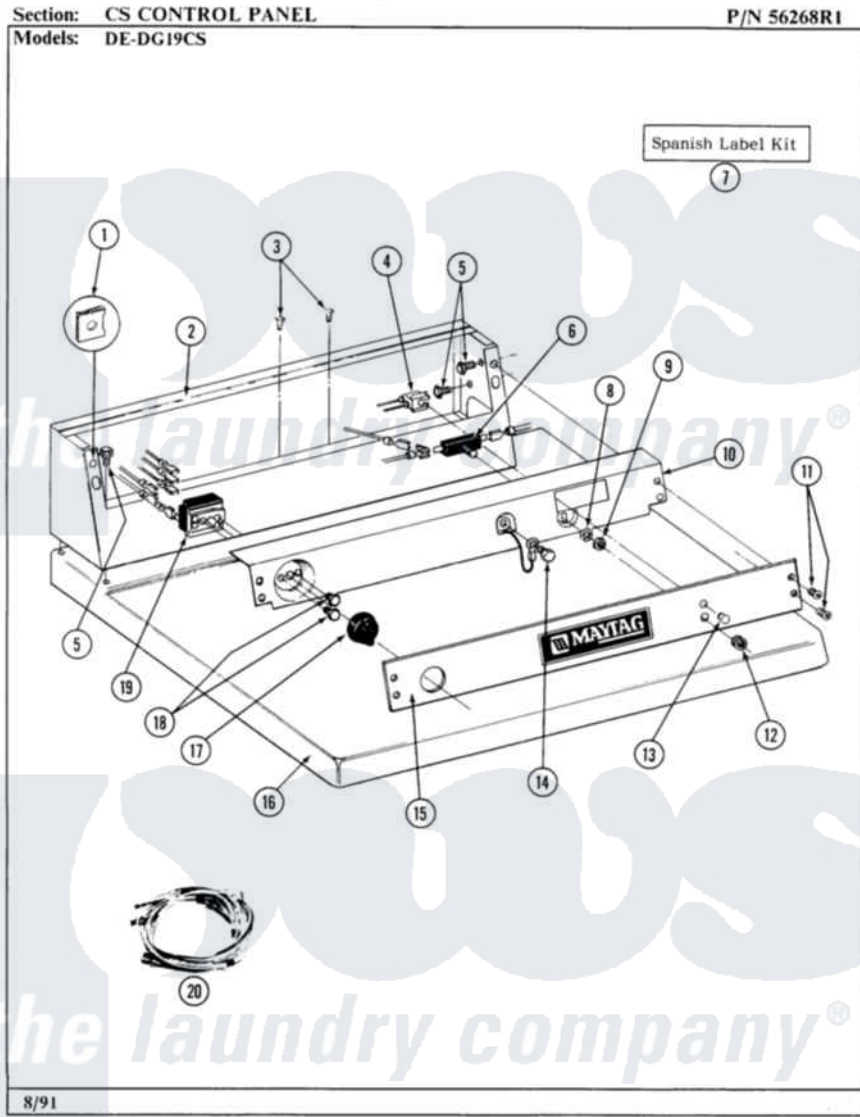


# Maytag DG19CS 02 - CONTROL PANEL



8

Maytag [Commercial Maytag DG19CS Dryer Parts](#) Parts Diagram 02 - CONTROL PANEL  
 Click on the part number to view part

Item	Original Part Number	Replaced By	Status	Part Description
001	<a href="#">215003</a>			Fastener, Panel And Bracket
002	<a href="#">305213</a>			Console-White
"	NLA		Not Available	(ALM)
003	<a href="#">211294</a>	<a href="#">90767</a>		Screw, 8A X 3/8 HeX Washer Head Tapping
"	Y314322	<a href="#">211251</a>		Screw, Transformer
004	Y305396		Not Available	LAMP, INDICATOR
005	212276	<a href="#">W10116760</a>		Screw
006	<a href="#">Y303204</a>			Start Switch With Nuts
007	NLA		Not Available	LABEL KIT, SPANISH
008	<a href="#">312751</a>			Lockwasher, Start Switch
009	Y312706	<a href="#">422617</a>		Nut
010	NLA		Not Available	BACK UP PLATE (WHT)
012	<a href="#">Y312702</a>			Knurled Nut, Start Switch
013	<a href="#">213099</a>			Lens For Control Panel
014	<a href="#">211252</a>			Screw, Ground Wire
015	NLA		Not Available	CONTROL PANEL

016	NLA	Not Available	(ALM)
"	Y305191	Not Available	TOP COVER-WHITE
017	<a href="#">205663</a>		Knob For Selector Switch
018	<a href="#">Y313588</a>	<a href="#">488234</a>	Screw 8-32 X 1/4
019	Y303420	Not Available	SELECTOR SWITCH
020	NLA	Not Available	MAIN WIRE HARNESS
314	<a href="#">212277</a>		Screw, No.8 X 1/2 Inch

