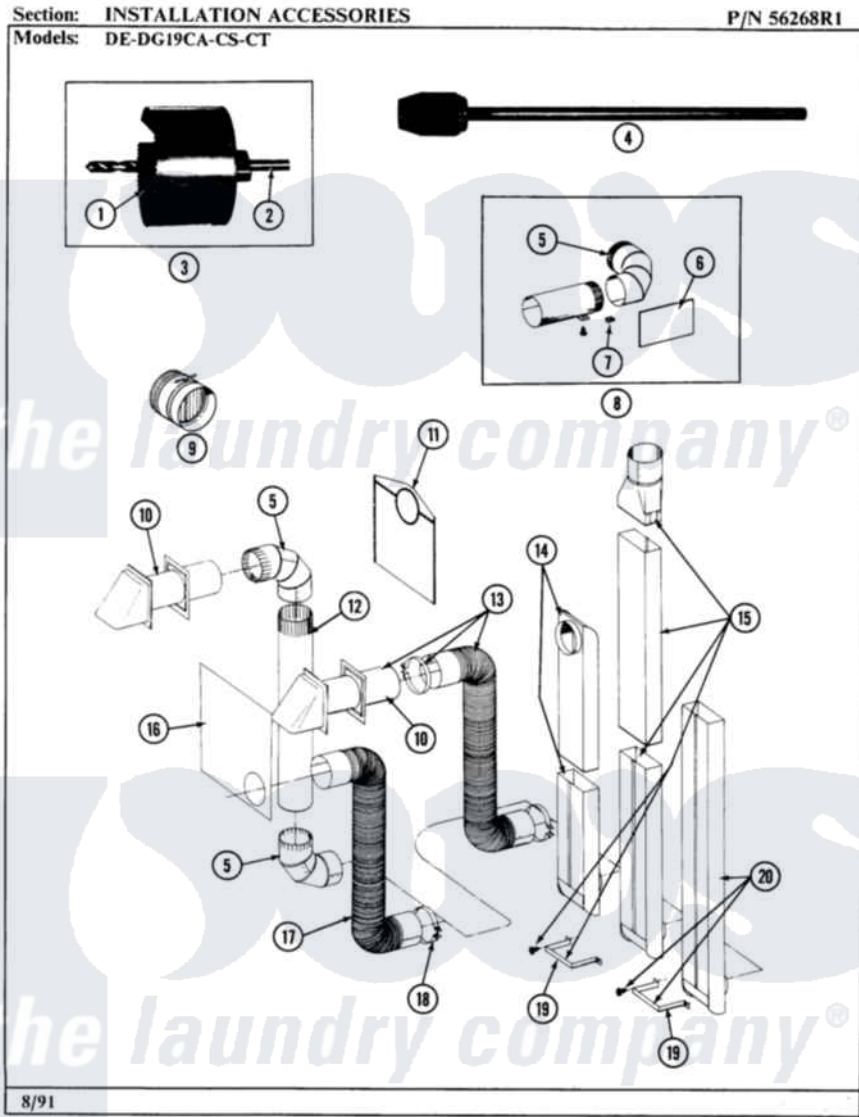


Maytag DG19CS 05 - INSTALLATION ACCESSORIES



Maytag Commercial Maytag DG19CS Dryer Parts Parts Diagram 05 - INSTALLATION ACCESSORIES
 Click on the part number to view part

Item	Original Part Number	Replaced By	Status	Part Description
001	NLA		Not Available	BLADE, SAW
002	NLA		Not Available	REPLACEMENT DRILL
003	NLA		Not Available	HOLE SAW W/DRILL BIT
004	NLA		Not Available	EXTENSION CHUCK, DRILL
005	Y059131			Elbow, Venting
006	312302			Insulation, Exhaust Duct Kit
007	213323			Fastener, Exhaust Duct Kit
008	211294	90767		Screw, 8A X 3/8 HeX Washer Head Tapping
"	Y304652			Exhaust Duct Kit
009	NLA		Not Available	DAMPER, BACK DRAFT
010	Y059129	4396007RW		Vent Hood
011	311353		Not Available	BAG, LINT (DACRON)
012	Y059130			Pipe, Venting
013	Y059143			Flexible Vent Kit
014	Y059135			Vent Duct Assembly
015	NLA		Not Available	RECTANGULAR VENT KIT

016	Y059134		PLATE, ALUM. WINDOW (15``X20``)
017	Y304353	4396010RP	6ft Scvent
018	Y304630		Clamp, Flexible Duct
019	211294	90767	Screw, 8A X 3/8 HeX Washer Head Tapping
"	NLA	Not Available	BRACKET, EXHAUST DEFLECTOR
020	NLA	Not Available	EXHAUST DEFLECTOR KIT

