



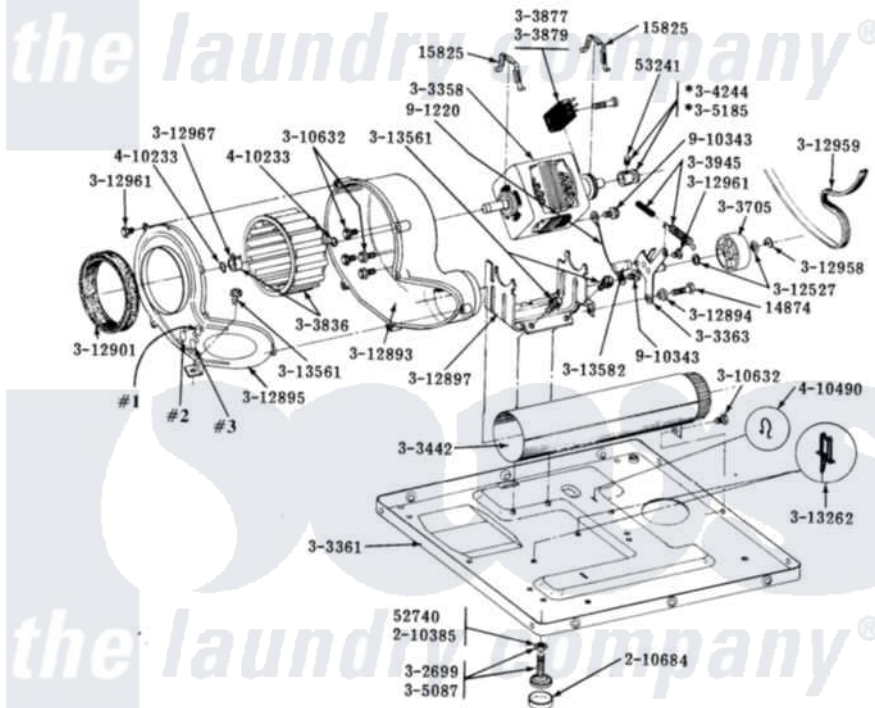


Maytag DG21CS 10 - MOTOR, BLOWER, BASE FRAME & THERMOSTATS

MODELS DE-DG21CA-CM-CS-CT			
MOTOR, BLOWER, BASE FRAME & THERMOSTATS			
<p>#1 3-3225</p>  <p>2-11294 DE-DG21CM DE-DG21CS</p>	<p>#2 3-3392</p>  <p>2-11294 DE-DG21CM DE-DG21CS DE-DG21CT</p>	<p>#3 3-3391</p>  <p>2-11294 DE-DG21CA DE-DG21CM DE-DG21CS DE-DG21CT</p>	<p>#1 & #2 3-12853</p>  <p>2-11294 #1 & #2 DE-DG21CA #1 DE-DG21CT</p>



*Before selecting a motor pulley see the charts at the top of page 47.

Maytag [Commercial Maytag DG21CS Dryer Parts Diagram 10 - MOTOR, BLOWER, BASE FRAME & THERMOSTATS](#)

[Click on the part number to view part](#)

Item	Original Part Number	Replaced By	Status	Part Description
001	Y014874			Screw, Idler Arm And Sleeve
002	Y015825			Clip, Motor To Motor Support
003	Y052740	62739		Nut, Lock
004	Y053241			Set Screw, Motor Pulley
005	210385			Lock Nut For Adjustable Leg
006	210684			Foot, Adjustable Leg
007	211294	90767		Screw, 8A X 3/8 HeX Washer Head Tapping
008	Y302699	22003428		Leg, Adjustable
009	Y303225			Thermostat, Permanent Press
010	Y303358	W10410999		Motor-Drve
011	Y303361		Not Available	BASE ASSY. (UPPER & LOWER)
012	Y303363	6-3033630		Idler Arm
013	Y303391	33303391		Thermostat, Cycling
014	303392			Thermostat, Cycling

015	Y303442		EXHAUST DUCT ASSEMBLY
016	Y303705	6-3037050	Pulley- ID
017	Y303836		Blower Wheel Assembly And Clamp
018	Y303877	Not Available	SWITCH, MOTOR EXTERNAL START No.303358-2, No.303358-4, 303358-7
019	Y303879		Switch, Motor External Start
020	Y303945		IDLER SPRING ASSY. W/PLUG
021	Y304244		Motor Pulley With Set Screw
022	Y304245	W10116792	Pulley-Idl
023	Y305087	22003544	Adjustable Leg W/Foot And Nut
024	Y305185	6-3051850	Pulley- MO
025	Y310632	1163839	Screw
026	Y312527		Washer, Idler Shaft
027	Y312853		Cover For Thermostat Openin
028	Y312893		Housing, Blower
029	Y312894	315772	Sleeve, Idler Arm
030	Y312895	Not Available	COVER FOR BLOWER---NA
031	NLA	Not Available	SUPPORT, MOTOR
032	Y312901		Seal, Housing Cover
033	312958	354987	Ring, Retaining
034	Y312959		Poly "V" Belt For Tumbler
035	Y312961	W10116751	Screw
036	312967		Clamp, Blower Housing
037	Y313262	W10116752	Retainer-
038	Y313561		Screw---NA
039	Y313582	W10116756	Spacer
040	410233	9703438	Ring-Retrn
041	410490		Spring, Retainer Wire Harness
042	901220		Ground Wire
043	910343	488234	Screw 8-32 X 1/4

