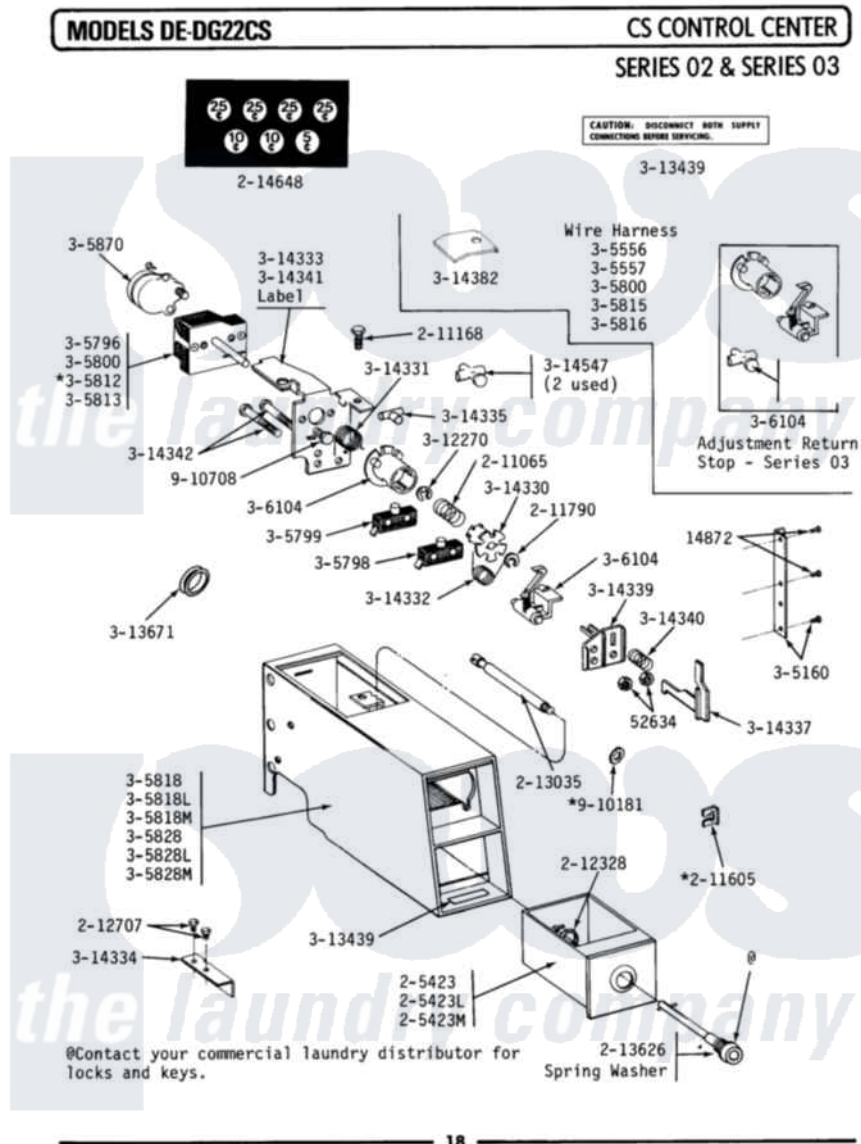


Maytag DG22CS 04 - CONTROL CENTER (SERIES 02 & SERIES 03)



Maytag [Commercial Maytag DG22CS Dryer Parts](#) Parts Diagram 04 - CONTROL CENTER (SERIES 02 & SERIES 03)
Click on the part number to view part

Item	Original Part Number	Replaced By	Status	Part Description
001	Y014872			Screw, Coin Meter Stop -
002	Y052634	701719		Nut, Hex
003	205423	208883		Coin Box K
"	205423L	208883		Coin Box K
004	211065			Spring, Index Wheel
005	211168	W10139210		Screw, 8-18 X 5/16
006	211605			Bezel, Timer Dial
007	211790			Lock Ring For Timer Shaft
008	212328	W10139762		Hex Nut, 3/4-27
009	212707	3196385		Screw
010	213035			Bolt, Locking
011	NLA		Not Available	SPRING WASHER FOR LOCK
012	214648			Decal, Coinage
013	NLA		Not Available	COIN METER STOP WITH SCREWS
014	305796			Timer

015	305798	Not Available	BYPASS SWITCH FOR MOTOR
016	Y305799		Bypass Switch For Heater
017	305800		Wire Harness For Timer
018	305812		Timer
019	305813		Part Not Available Part Not Used
020	305815		Wire Harness - Lower
021	NLA	Not Available	WIRE HARNESS-UPPER
022	NLA	Not Available	OUTER CASE (WHT)
023	NLA	Not Available	CONTROL CENTER-WHITE
024	305870		Timer Motor
025	306104		Actuator Switch Kit
026	Y312270		Clip, Spring Retainer
027	Y313439	Not Available	INSTRUCTION LABEL
028	Y313671	33001303	Grommet, Plate Hole
029	314330	Not Available	DRIVER FOR INDEX WHEEL (NOT INCLUDED W/KIT)
030	314331		Spring, Torsion Return
031	314332		Spring, Actuator
032	314333		Timer Mounting Bracket
033	314334		Bracket For Coin Slide
034	314335		Peg, Tine Adjustment
035	314337	33002968	Slider
036	314339		Switch And Slider Bracket
037	NLA	Not Available	HELICAL SPRING ---N
038	NLA	Not Available	INSTRUCTION LABEL
039	NLA	Not Available	SCREW
040	NLA	Not Available	STOP FOR TIMER MECHANISM
041	314547	Y308109	Slide And Adj. Return Bracket
042	910181		Lockwasher, Terminal Block
043	910708	488234	Screw 8-32 X 1/4

