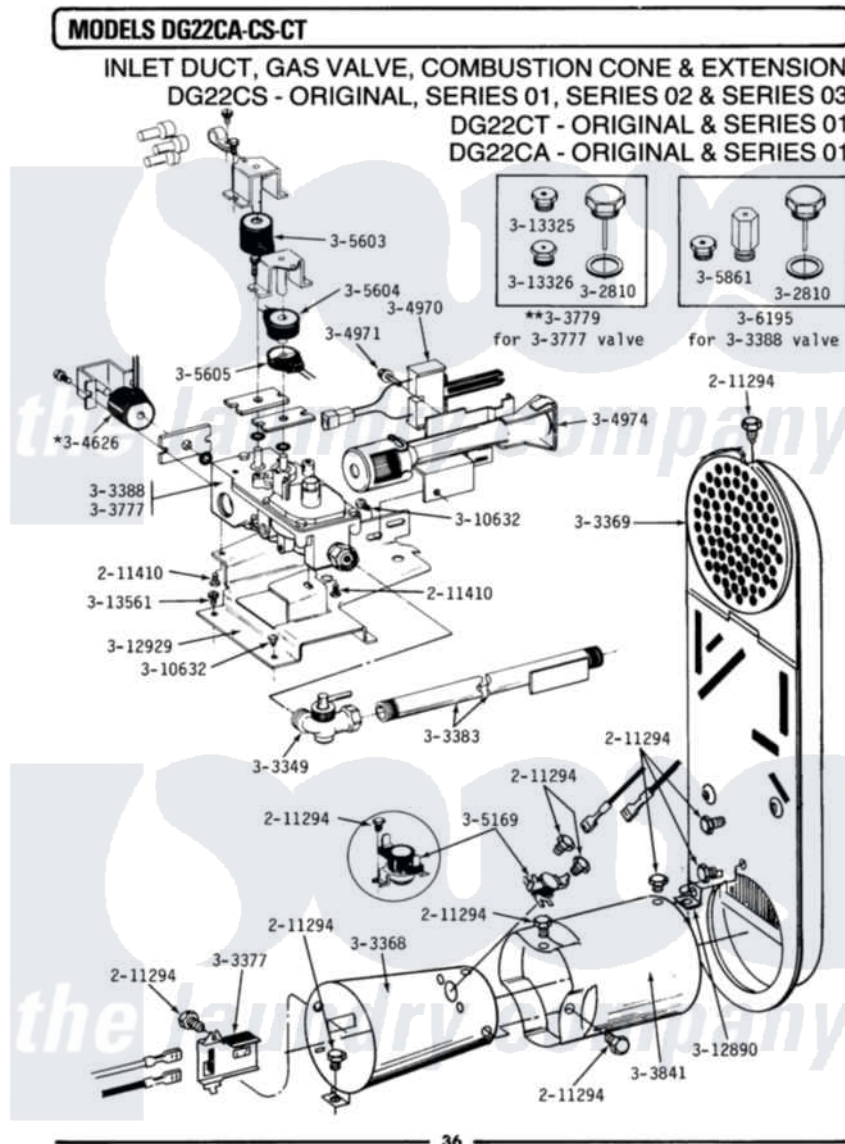


# Maytag DG22CS 10 - INLET DUCT, GAS VALVE & COMBUSTION CONE



Maytag [Commercial Maytag DG22CS Dryer Parts](#) Parts Diagram 10 - INLET DUCT, GAS VALVE & COMBUSTION CONE

[Click on the part number to view part](#)

Item	Original Part Number	Replaced By	Status	Part Description
001	<a href="#">211294</a>	<a href="#">90767</a>		Screw, 8A X 3/8 HeX Washer Head Tapping
002	NLA		Not Available	SCREW, HEX HD No.8 X 3/8 INCH
003	NLA		Not Available	SCREW ASSEMBLY, LEAK LIMIT
004	NLA		Not Available	SCREW ASSM - BLUE BLOCK OPE
005	<a href="#">Y303349</a>			Angle Shut-Off, Gas Valve
006	<a href="#">Y303368</a>			Cone, Combustion
007	<a href="#">Y303369</a>			Inlet Duct Assembly
008	Y303377	<a href="#">338906</a>		Radiant, Sensor
009	Y303383	<a href="#">33001735</a>		Pipe And Bracket Assembly Series 18 Not Needed Use Vavle
010	Y303777	<a href="#">W10116794</a>		Gas Valve
011	<a href="#">Y303779</a>			Conversion Kit
012	<a href="#">Y303841</a>			Cone, Extension

013	<a href="#">Y304626</a>		Side Coil
014	<a href="#">Y304672</a>		Conversion Kit-LPG To Nat.
015	304970	<a href="#">4391996</a>	Ignitor
016	<a href="#">304971</a>		Screw Note: Screw, Igniter
017	304974	<a href="#">33002793</a>	Burner Assembly
018	<a href="#">305169</a>		Thermostat, Hi-Limit Gas
019	<a href="#">305603</a>		Secondary Coil
020	<a href="#">305604</a>		Holding Coil
021	<a href="#">305605</a>		Booster Coil
022	305860	Not Available	MAIN BURNER ORIFICE KIT-NAT
023	NLA	Not Available	MAIN BURNER ORIFICE KIT-LPG
024	NLA	Not Available	MAIN BURNER ORIFICE KIT-MIX
025	NLA	Not Available	MAIN BURNER ORIFICE KIT-MFG
026	Y306195	<a href="#">MAL9000AXX</a>	LP Gas Con
027	Y310632	<a href="#">1163839</a>	Screw
028	<a href="#">Y312890</a>		Retainer, Heater Chamber
029	<a href="#">312929</a>		Gas Valve Bracket
030	NLA	Not Available	MAIN BURNER ORIFICE - LPG
031	NLA	Not Available	INTERNAL ORIFICE - LPG
032	NLA	Not Available	MAIN BURNER ORIFICE (MFG)
033	<a href="#">Y313561</a>		Screw----NA

