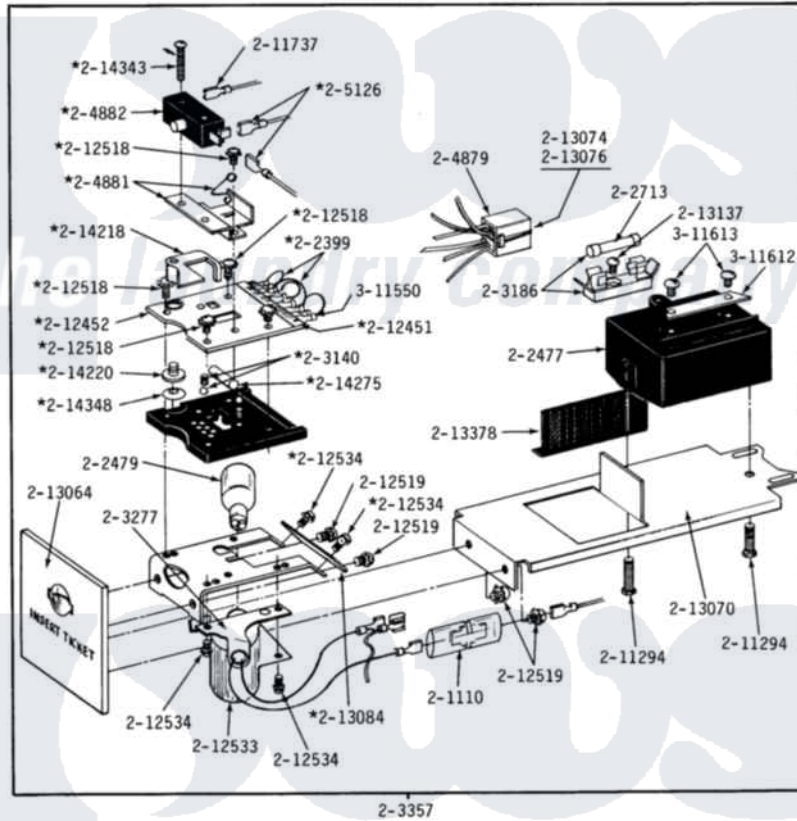


Maytag DG22CT 05 - CONTROL CENTER COMPONENTS

MODELS DE-DG22CT

CT CONTROL CENTER COMPONENTS



®Contact your commercial distributor for locks, keys, tickets and ticket dispensers.

*Part of 2-2509 ticket control assembly.

Maytag Commercial Maytag DG22CT Dryer Parts Parts Diagram 05 - CONTROL CENTER COMPONENTS

[Click on the part number to view part](#)

Item	Original Part Number	Replaced By	Status	Part Description
001	Y201110		Not Available	CONNECTOR, WIRE (INDIC. LIGHT)
002	NLA		Not Available	JUMPER WIRE (BLACK)
003	202477	22003292		Control As
004	202479	A3167501		Lamp Oven, Int.
005	202509			Ticket Control Assembly
006	202713	22001555		Fuse
007	203140			Contact Ball Kit
008	NLA		Not Available	FUSE BLOCK W/FUSE
009	NLA		Not Available	LAMP SOCKET W/BRACKET
010	NLA		Not Available	TICKET RECEIVER ASSEMBLY
011	NLA		Not Available	HARNESS, TICKET CONTROL
012	204881			Cam Plate Assembly
013	204882		Not Available	SWITCH FOR TICKET CONTROL
014	NLA		Not Available	SPADE CONNECTOR

015	211294	90767	Screw, 8A X 3/8 HeX Washer Head Tapping
016	211737	248562	Terminal
017	NLA	Not Available	OVERLAY, CIRCUIT BOARD
018	212452		Board, Circuit
019	NLA	Not Available	SEMS SCREW (No.4-40 X 1/2 INC)
020	212519	488234	Screw 8-32 X 1/4
021	212533		SHIELD FOR HEAT LAMP
022	NLA	Not Available	SCREW, CONTROL SHIELD
023	NLA	Not Available	FRONT PLATE, TICKET CONTROL
024	NLA	Not Available	BRACKET, TICKET ASSEMBLY
025	213074		Pin Receptacle For Plug
026	NLA	Not Available	PIN, PLUG
027	NLA	Not Available	TICKET DEFLECTOR
028	NLA	Not Available	SCREW (No.6 X 1/4 INCH)
029	NLA	Not Available	SHIELD
030	214218		Lever, Switch
031	214220		Adjustment Thumb Wheel
032	214275		Roller For Cam
033	NLA	Not Available	SCREW
034	NLA	Not Available	SPRING WASHER
035	Y311550	Not Available	SPADE (MINIATURE)
036	311612	Not Available	COVER, CIRCUIT BOARD TERMINALS
037	311613	Y311711	Screw, Fuse Block

the laundry company[®]

the laundry company[®]