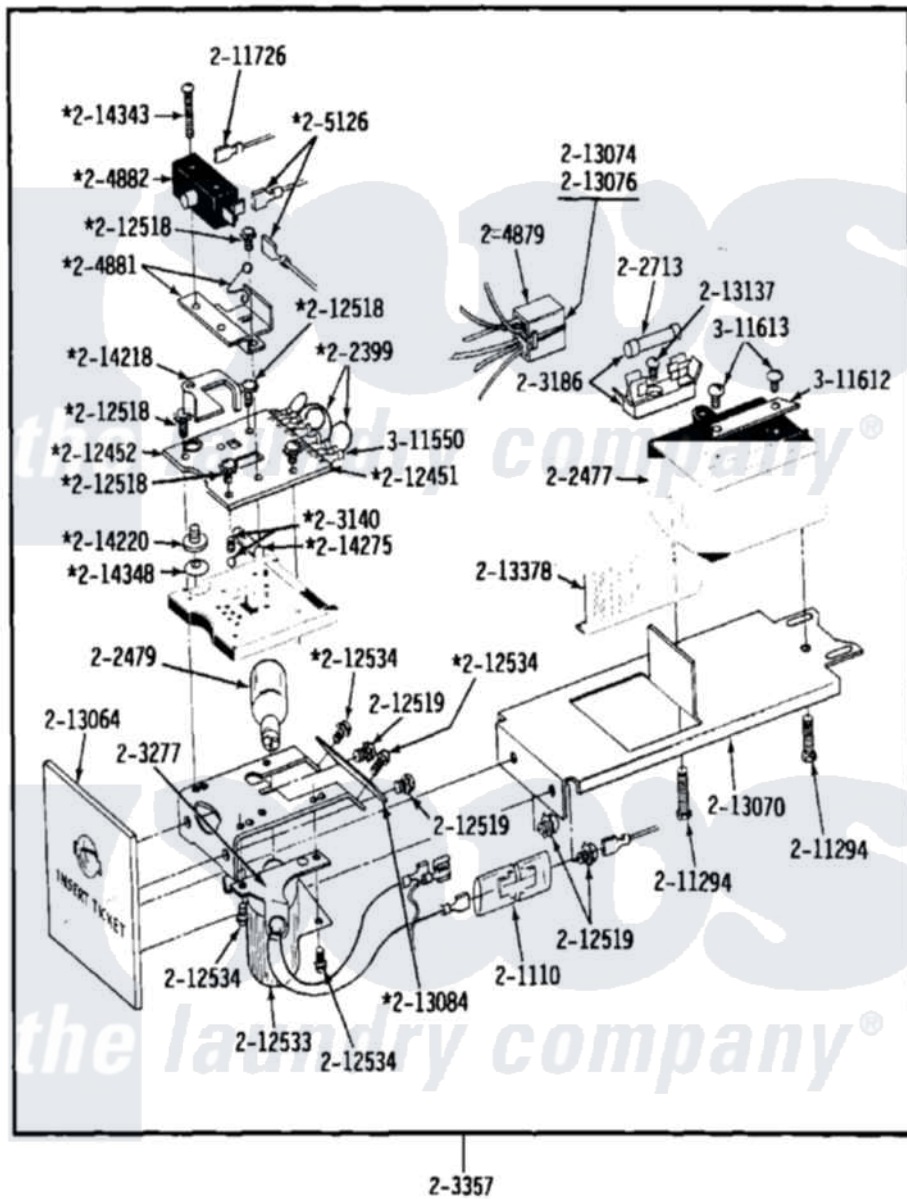


# Maytag DG24CT 03 - CT CONTROL CENTER COMPONENTS



Maytag Commercial Maytag DG24CT Dryer Parts Parts Diagram 03 - CT CONTROL CENTER COMPONENTS  
 Click on the part number to view part

| Item | Original Part Number   | Replaced By              | Status        | Part Description               |
|------|------------------------|--------------------------|---------------|--------------------------------|
| 001  | Y201110                |                          | Not Available | CONNECTOR, WIRE (INDIC. LIGHT) |
| 002  | NLA                    |                          | Not Available | JUMPER WIRE (BLACK)            |
| 003  | 202477                 | <a href="#">22003292</a> |               | Control As                     |
| 004  | 202479                 | <a href="#">A3167501</a> |               | Lamp Oven, Int.                |
| 005  | <a href="#">202509</a> |                          |               | Ticket Control Assembly        |
| 006  | 202713                 | <a href="#">22001555</a> |               | Fuse                           |
| 007  | <a href="#">203140</a> |                          |               | Contact Ball Kit               |
| 008  | NLA                    |                          | Not Available | FUSE BLOCK WITH FUSE           |
| 009  | NLA                    |                          | Not Available | LAMP SOCKET WITH BRACKET       |
| 010  | NLA                    |                          | Not Available | TICKET RECEIVER ASSEMBLY       |
| 011  | NLA                    |                          | Not Available | HARNESS FOR TICKET CONTROL     |
| 012  | <a href="#">204881</a> |                          |               | Cam Plate Assembly             |
| 013  | 204882                 |                          | Not Available | SWITCH FOR TICKET CONTROL      |

|     |                        |                         |               |   |
|-----|------------------------|-------------------------|---------------|---|
| 014 | NLA                    |                         | Not Available | SPADE CONNECTOR                         |
| 015 | <a href="#">211294</a> | <a href="#">90767</a>   |               | Screw, 8A X 3/8 HeX Washer Head Tapping |
| 016 | 211737                 | <a href="#">248562</a>  |               | Terminal                                |
| 017 | NLA                    |                         | Not Available | OVERLAY FOR CIRCUIT BOARD               |
| 018 | <a href="#">212452</a> |                         |               | Board, Circuit                          |
| 019 | NLA                    |                         | Not Available | SEMS SCREW (No.4-40 X 1/2 INC)          |
| 020 | <a href="#">212519</a> | <a href="#">488234</a>  |               | Screw 8-32 X 1/4                        |
| 021 | <a href="#">212533</a> |                         |               | SHIELD FOR HEAT LAMP                    |
| 022 | NLA                    |                         | Not Available | SCREW, SHIELD TO CONTROL                |
| 023 | NLA                    |                         | Not Available | FRONT PLATE F/TICKET CONTRO             |
| 024 | NLA                    |                         | Not Available | BRACKET FOR TICKET ASSEMBLY             |
| 025 | <a href="#">213074</a> |                         |               | Pin Receptacle For Plug                 |
| 026 | NLA                    |                         | Not Available | PIN FOR PLUG                            |
| 027 | NLA                    |                         | Not Available | TICKET DEFLECTOR                        |
| 028 | NLA                    |                         | Not Available | SCREW (No.6 X 1/4 INCH)                 |
| 029 | NLA                    |                         | Not Available | SHIELD                                  |
| 030 | <a href="#">214218</a> |                         |               | Lever, Switch                           |
| 031 | <a href="#">214220</a> |                         |               | Adjustment Thumb Wheel                  |
| 032 | <a href="#">214275</a> |                         |               | Roller For Cam                          |
| 033 | NLA                    |                         | Not Available | SCREW                                   |
| 034 | NLA                    |                         | Not Available | SPRING WASHER                           |
| 035 | Y311550                |                         | Not Available | SPADE (MINIATURE)                       |
| 036 | 311612                 |                         | Not Available | COVER, CIRCUIT BOARD TERMINALS          |
| 037 | 311613                 | <a href="#">Y311711</a> |               | Screw, Fuse Block                       |

