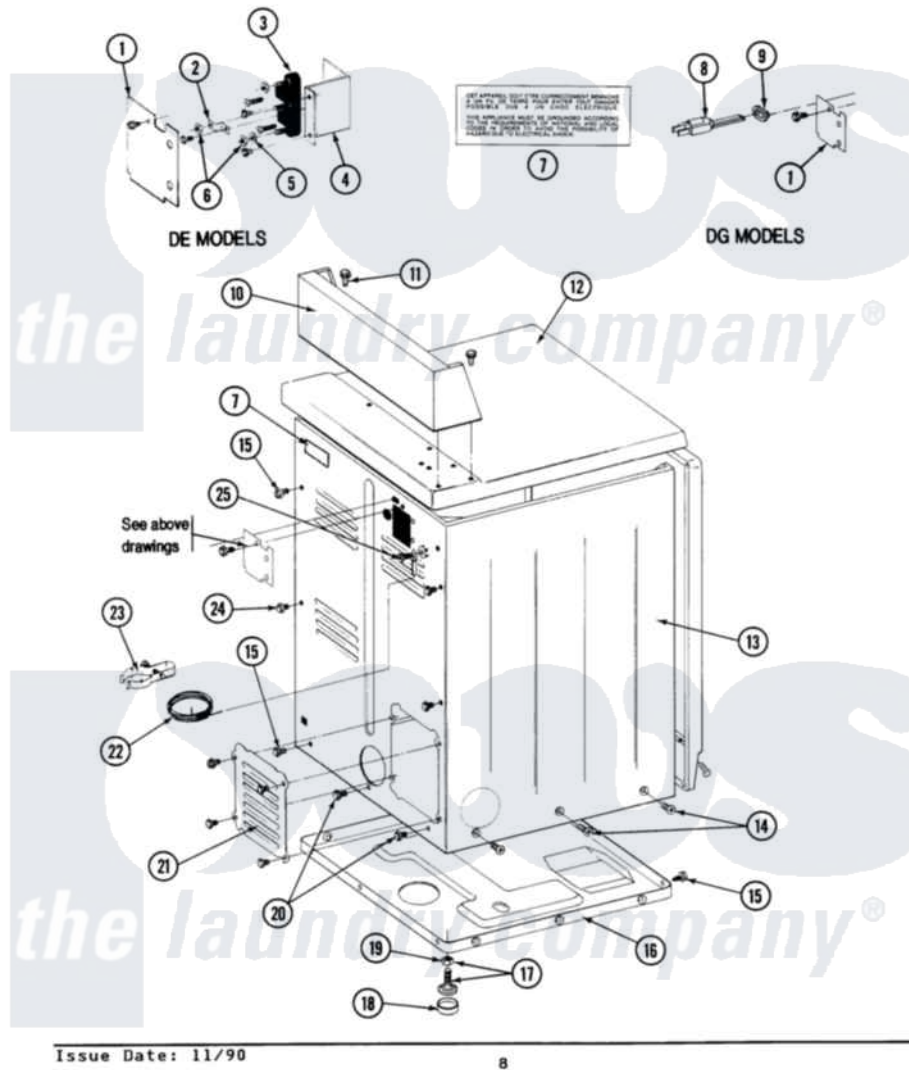


# Maytag DG26CD 02 - REAR VIEW - CD/CT MODELS

SECTION: REAR VIEW  
MODEL: DE-DG26CD-CT



Issue Date: 11/90

8

Maytag Commercial Maytag DG26CD Dryer Parts Parts Diagram 02 - REAR VIEW - CD/CT MODELS  
Click on the part number to view part

Item	Original Part Number	Replaced By	Status	Part Description
001	<a href="#">Y313561</a>			Screw---NA
"	Y312905		Not Available	COVER, TERMINAL
002	Y311423	<a href="#">489483</a>		Screw 10-32 X 1/2
"	<a href="#">Y312184</a>			Strap, Grounding
003	<a href="#">400008</a>			Block, Terminal
"	<a href="#">Y312209</a>	<a href="#">W10001200</a>		Screw
004	<a href="#">Y313561</a>			Screw---NA
"	Y310632	<a href="#">1163839</a>		Screw
"	<a href="#">Y312904</a>			Bracket, Terminal Block
005	<a href="#">Y311270</a>			Washer, Terminal Block
006	<a href="#">311484</a>	<a href="#">112432</a>		Nut
007	<a href="#">214519</a>			LABEL, ELECTRICAL INSTR. PART NOT USED-GAS MODELS ONLY
008	302521		Not Available	CORD, POWER PART NOT USED-GAS MODELS ONLY
009	<a href="#">211881</a>			Grommet, Cord Part Not Used- Gas Models Only

010	NLA		Not Available	CONTROL COVER (WHT)
011	212276	<a href="#">W10116760</a>		Screw
012	307105		Not Available	COVER, TOP ASSY. (WHT)
"	NLA		Not Available	(ALM)
013	NLA		Not Available	CABINET (WHT)
014	<a href="#">213007</a>			Xfor Cabinet See Cabinet, Back
015	<a href="#">Y313561</a>			Screw---NA
016	Y303361		Not Available	BASE ASSY. (UPPER & LOWER)
017	<a href="#">Y305086</a>			Adjustable Leg And Nut
018	<a href="#">Y314137</a>			Foot, Rubber
019	<a href="#">Y052740</a>	<a href="#">62739</a>		Nut, Lock
020	Y310632	<a href="#">1163839</a>		Screw
021	<a href="#">211294</a>	<a href="#">90767</a>		Screw, 8A X 3/8 HeX Washer Head Tapping
"	Y312951		Not Available	ACCESS COVER, BACK
"	<a href="#">Y313559</a>			Screw
022	<a href="#">311155</a>			Ground Wire And Clamp
023	<a href="#">301548</a>			Clamp, Ground Wire
"	NLA		Not Available	SCREW
024	Y310632	<a href="#">1163839</a>		Screw
025	NLA		Not Available	SCREW & WASHER ASSY.

