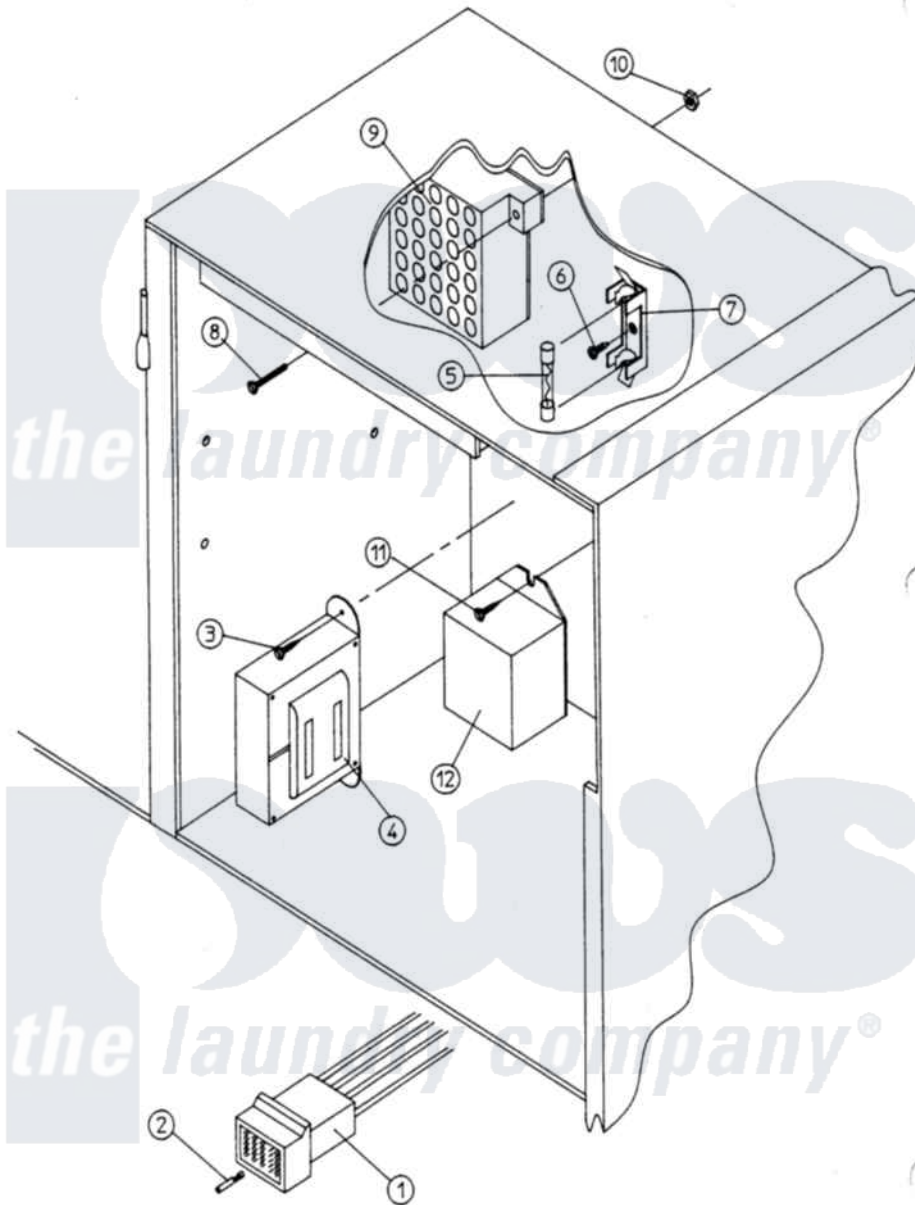


# Maytag DG30MC1 05 - COIN METER CONTROL BOX ASSEMBLY



Maytag [Commercial Maytag DG30MC1 Dryer Parts](#) Parts Diagram 05 - COIN METER CONTROL BOX ASSEMBLY  
 Click on the part number to view part

Item	Original Part Number	Replaced By	Status	Part Description
NI	W10124350		Not Available	ORDER PARTS FROM AMERICAN DRYER CORP AT 508-678-9000
001	A122603	<a href="#">122603</a>		9 Pin Sock
002	A122701	<a href="#">122701</a>		MNL Socket
"	A122801	<a href="#">W10146716</a>		Mate-N-Loc
003	A150300	<a href="#">5307527001</a>		Switch
004	A141403		Not Available	TRANSFORMER (24 VAC) (FOR MICROPROCESSOR MODELS)
005	A136057	<a href="#">W10146739</a>		0.5 A 250
006	A150301	<a href="#">150301</a>		8-18 X 7
007	A136008	<a href="#">136008</a>		Fuse Block
008	A152002	<a href="#">152002</a>		1 4-20 Hex
009	A120715	<a href="#">W10146700</a>		30 Pos Ter
010	A151000	<a href="#">WH12X195</a>		Switch Assembly
011	A150300	<a href="#">5307527001</a>		Switch
012	A131814	<a href="#">131814</a>		115V Motor

