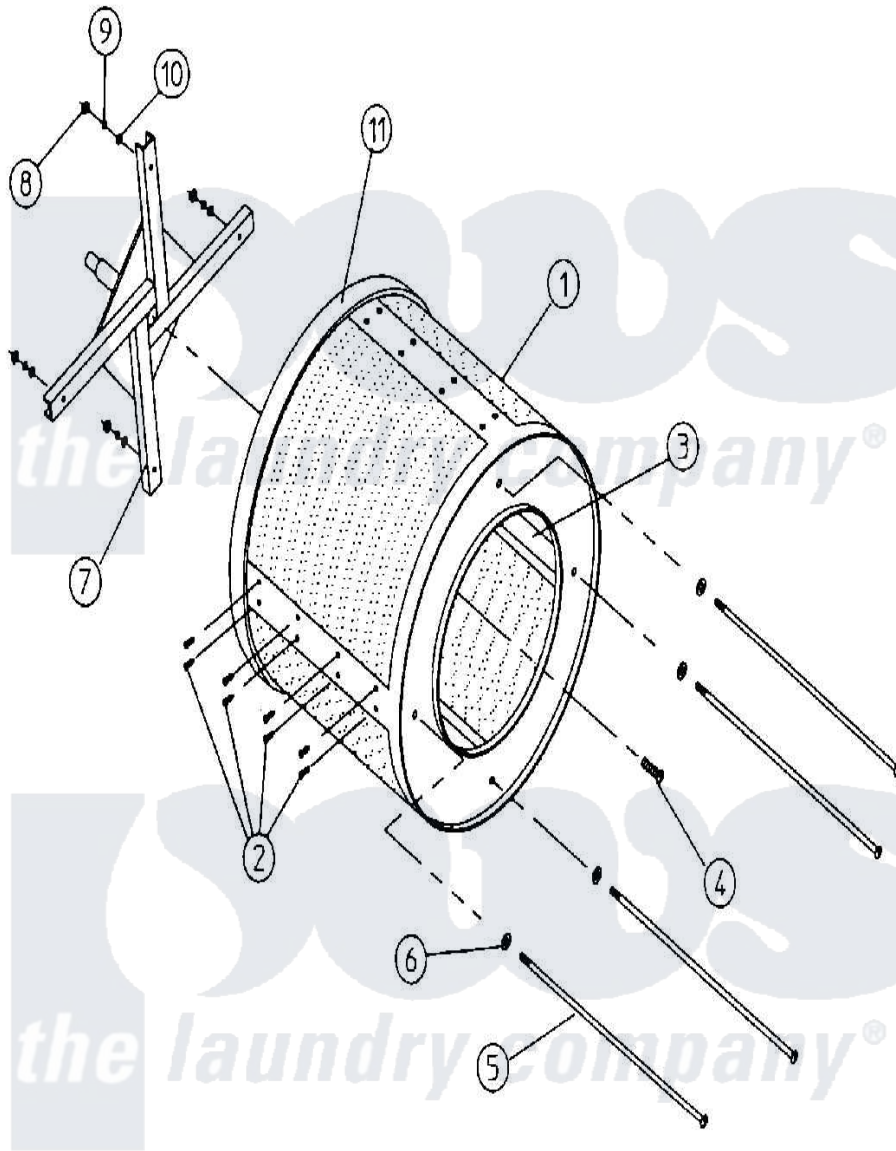


Maytag DG30MC1 10 - TUMBLER/SUPPORT ASSEMBLY(DG30/50)



MAN0309

Maytag [Commercial Maytag DG30MC1 Dryer Parts](#) Parts Diagram 10 - TUMBLER/SUPPORT ASSEMBLY(DG30/50)
 Click on the part number to view part

Item	Original Part Number	Replaced By	Status	Part Description
NI	W10124350		Not Available	ORDER PARTS FROM AMERICAN DRYER CORP AT 508-678-9000
001	A800703	800703		30 Tumbler
"	A800705	800705		50 Tumbler
"	A800803	800803		30 Tumbler
"	A800820	800820		50 1 3 4
002	A150415		Not Available	SCREW, CRIMPTITE (PH. RD.HD.) (No.10-16 X 1/2" PH. RD. HD.)
003	A301302	301302		50 Tumbler
"	A301304	W10146780		30 Tumbler
"	A301310	MAG3028		10' 30a 3WIRE Dryer Cord
004	A150500		Not Available	SCREW, SOCKET BUTTON HD. (5/16-18" X 38 1/2")
"	A150518	150518		5 16-18 X
005	A100902		Not Available	ROD, TIE (No.18-5/16" X 31")
"	A100903	100903		3 8-16 X 3

006	A153001	153001	5 16 Flat
"	A153004	153004	3 8 X 1
007	A800603	800603	30 Tumbler
"	A800616	W10147063	50 1 3 4
008	A152004	8182933	Nut, Hex
"	A152005	152005	3 8-16 Hex
009	A153002	8182939	Washer, Lock
"	A153005	153005	3 8 Split
010	A153001	153001	5 16 Flat
"	A153004	153004	3 8 X 1
011	A116001	W10146665	Felt Colla
"	A116002	W10149238	Felt Colla
"	A401010	401010	3M 847 CO

the laundry company[®]

the laundry company[®]

the laundry company[®]