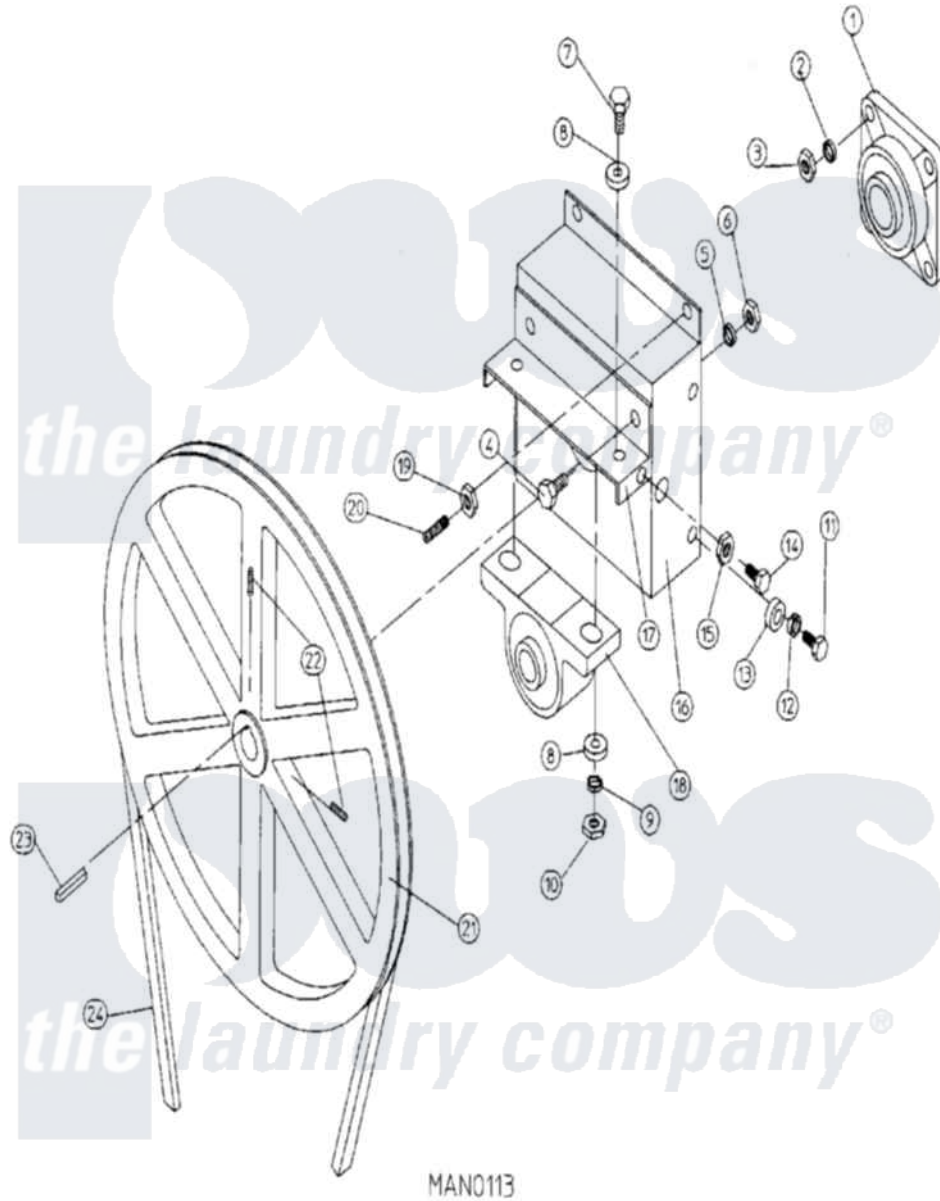


Maytag DG30MC1 11 - TUMBLER BEARING ASSEMBLY (DG30/50)



Maytag [Commercial Maytag DG30MC1 Dryer Parts](#) Parts Diagram 11 - TUMBLER BEARING ASSEMBLY (DG30/50)
 Click on the part number to view part

Item	Original Part Number	Replaced By	Status	Part Description
NI	W10124350		Not Available	ORDER PARTS FROM AMERICAN DRYER CORP AT 508-678-9000
001	A100203		Not Available	BEARING, FLANGE (1 3/8")
"	A100220		Not Available	FLANGE BEARING (1-3/4")
002	A153005	153005		3 8 Split
"	A153025	153025		9 16 Lock
003	A152005	152005		3 8-16 Hex
"	A152050	152050		9 16-12 He
004	A150508	150508		3 8-16 X 3
005	A153005	153005		3 8 Split
006	A152005	152005		3 8-16 Hex
007	A150600	150600		3 8-16 X 1
008	A153004	153004		3 8 X 1
009	A153005	153005		3 8 Split
010	A152005	152005		3 8-16 Hex
011	A150501	150501		5 16-18 X

012	A153002	8182939		Washer, Lock
013	A153001	153001		5 16 Flat
014	A150621	150621		5 16-18 X
015	A152004	8182933		Nut, Hex
016	A801101	W10147075		1-3 8 Bea
"	A801103	801103		Bearing BO
"	A801105	W10147077		1 Pc. 1 3
017	A801104	801104		Pillow Blo
018	A100202		Not Available	BEARING, PILLOW BLOCK (1 3/8``)
019	A152004	8182933		Nut, Hex
"	A152005	152005		3 8-16 Hex
020	A154303		Not Available	SCREW (No.16-3/8`` X 1 1/4``)
021	A101100		Not Available	PULLEY, 18`` (NON-REVERSING)
022	A154301	154301		5 16-18 X
023	A100713	100713		1 4 X 1 4
024	A100108	W10146555		5l680 Belt

