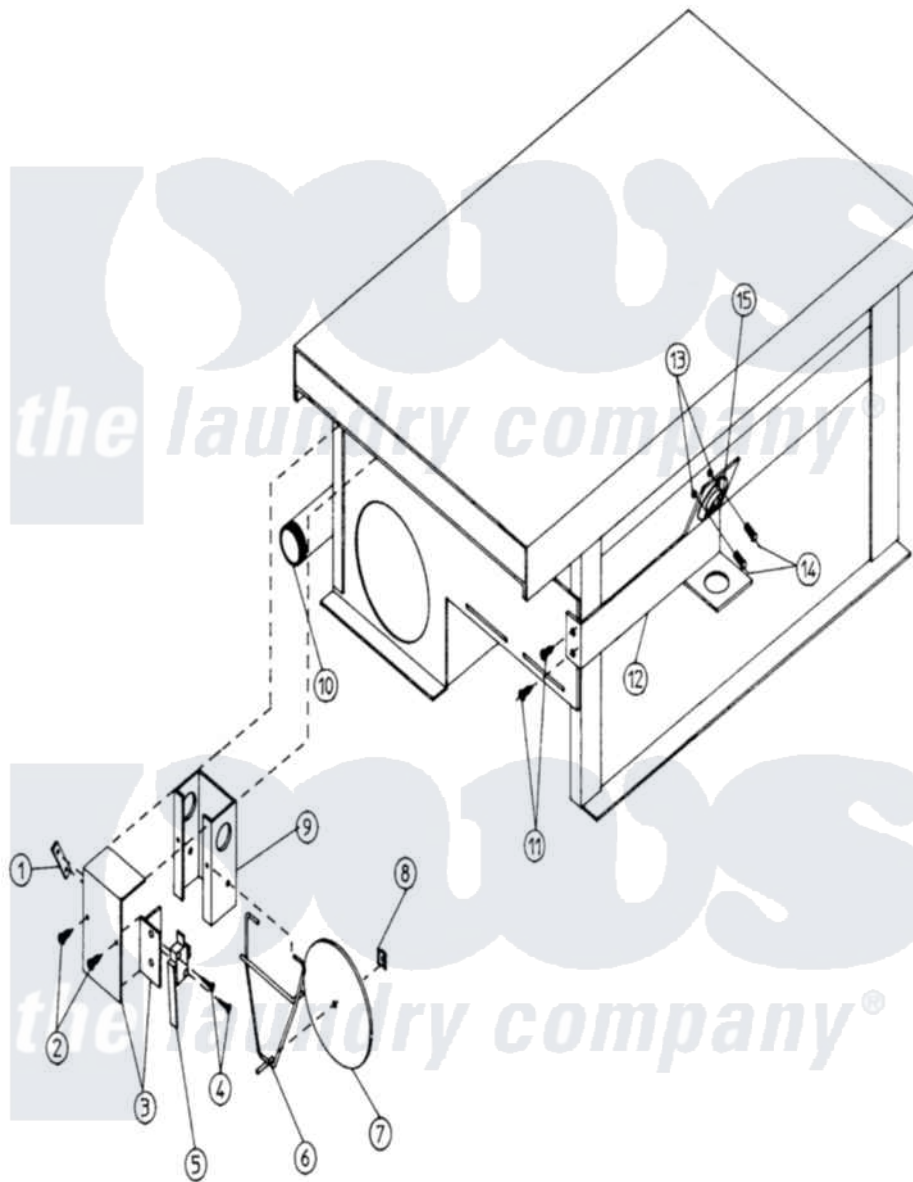


# Maytag DG30MC1 16 - SAIL SWITCH/HI-LIMIT ASSEMBLY(DG50/30)



Maytag Commercial Maytag DG30MC1 Dryer Parts Parts Diagram 16 - SAIL SWITCH/HI-LIMIT ASSEMBLY(DG50/30)  
 Click on the part number to view part

Item	Original Part Number	Replaced By	Status	Part Description
000	W10124350		Not Available	ORDER PARTS FROM AMERICAN DRYER CORP AT 508-678-9000
001	A154004	<a href="#">154004</a>		Tinnerman
002	A150415		Not Available	SCREW, CRIMPTITE (PH. RD.HD.) (No.10-16 X 1/2" PH. RD. HD.)
003	A802799	<a href="#">802799</a>		Sail Sw.bo
004	A150303	<a href="#">150303</a>		4 X 3 4 P
005	A122200	<a href="#">122200</a>		Sail Switch
006	A105500	<a href="#">W10146641</a>		Std Sail S
007	A319202	<a href="#">W10146866</a>		Sail Switch
008	A154002	<a href="#">154002</a>		1 8 Push O
009	A802800	<a href="#">802800</a>		Sail Switch
"	A802801	<a href="#">802801</a>		Sail Switch
010	A142809	<a href="#">W10146757</a>		1 2 X 29 1
011	A840055	<a href="#">840055</a>		15-285 Sai
012	A830000	<a href="#">W10147405</a>		15-25 Sail

013	A150415		Not Available	SCREW, CRIMPTITE (PH. RD.HD.) (No.10-16 X 1/2" PH. RD. HD.)
014	A319704	<a href="#">WB4X122</a>		Medallion
015	A151000	<a href="#">WH12X195</a>		Switch Assembly
016	A151001	<a href="#">W10146764</a>		8-32 Pal N
017	<a href="#">A130401</a>			HI-LIMIT (ONLY) (330 DEG.)

