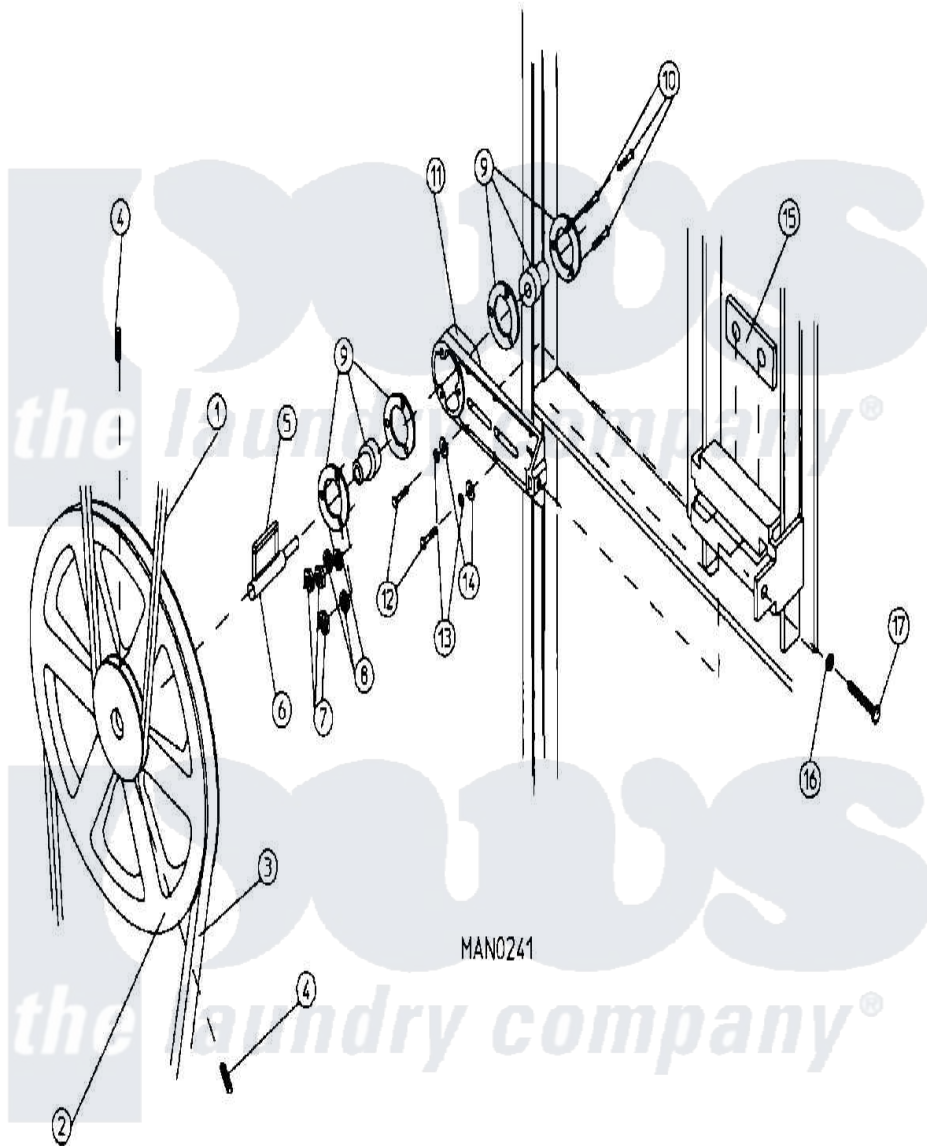


# Maytag DG30PC1 11 - IDLER BEARING ASSEMBLY (DG30/50)



Maytag [Commercial Maytag DG30PC1 Dryer Parts](#) Parts Diagram 11 - IDLER BEARING ASSEMBLY (DG30/50)  
 Click on the part number to view part

Item	Original Part Number	Replaced By	Status	Part Description
000	W10124350		Not Available	ORDER PARTS FROM AMERICAN DRYER CORP AT 508-678-9000
001	A100108	<a href="#">W10146555</a>		5I680 Belt
002	A101140	<a href="#">W10146634</a>		14 X 3 C
"	NLA		Not Available	PULLEY W/KEY(9" X 2 1/2")
003	A100110	<a href="#">W10146556</a>		4I500 V be
"	A100112	<a href="#">W10146558</a>		4I610 V be
004	A154301	<a href="#">154301</a>		5 16-18 X
005	A100705	<a href="#">100705</a>		3 16 X 3
006	<a href="#">A301850</a>			SHAFT, IDLER (5/8" X 3/4")
007	A152002	<a href="#">152002</a>		1 4-20 Hex
008	A153007	<a href="#">153007</a>		1 4 Split
009	A100214		Not Available	BEARING, FLANGE (5/8")
010	A150521	<a href="#">150521</a>		1 4-20 X 2
011	NLA		Not Available	IDLER BEARING ASSEMBLY
012	A150617	<a href="#">150617</a>		3 8-16 X 1

013	A153005	<a href="#">153005</a>	3 8 Split
014	A153004	<a href="#">153004</a>	3 8 X 1
015	A801009	<a href="#">801009</a>	Idler Squa
016	A152004	<a href="#">8182933</a>	Nut, Hex
017	A150509	<a href="#">150509</a>	5 16-18 X

