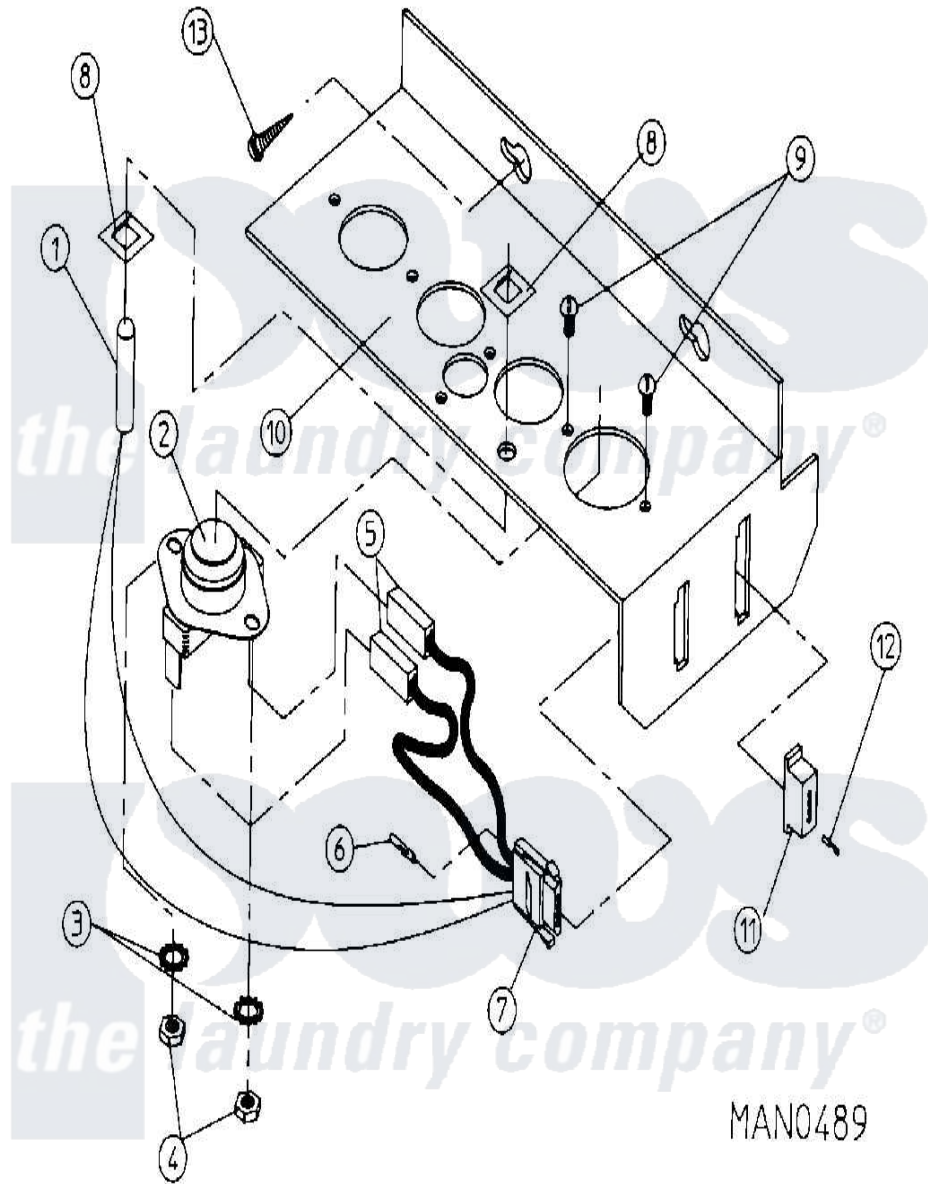


Maytag DG30PN1 12 - MICROPROCESSOR SENSOR BRACKET (DG50/30)



Maytag [Commercial Maytag DG30PN1 Dryer Parts](#) Parts Diagram 12 - MICROPROCESSOR SENSOR BRACKET (DG50/30)

[Click on the part number to view part](#)

Item	Original Part Number	Replaced By	Status	Part Description
000	W10124350		Not Available	ORDER PARTS FROM AMERICAN DRYER CORP AT 508-678-9000
001	A880251	W10147995		1 4 Tem
002	A130103	W10146725		L225 Tod3
"	A130150		Not Available	200 DEGREE LARGE THERMOSTAT
003	A153010	153010		6 Internal
004	A152000	152000		6-32 HEX N
005	A121028	121028		1 4 X.032
006	A122701	122701		MNL Socket
007	A122605	122605		4 Pin Cmnl
"	A122801	W10146716		Mate-N-Loc
008	A154007	8182949		Fastener, Push-On
009	A150000		Not Available	SCREW, MACHINE (RD.HD. SLOT) (No.6-32 X 1/4" RD HD)
010	A305007	W10146789		Universal

"	A801429	801429	Maytag 30
011	A122604	W10146714	4 Pin CmnI
012	A122700	122700	MNL Pin S
013	A150301	150301	8-18 X 7

