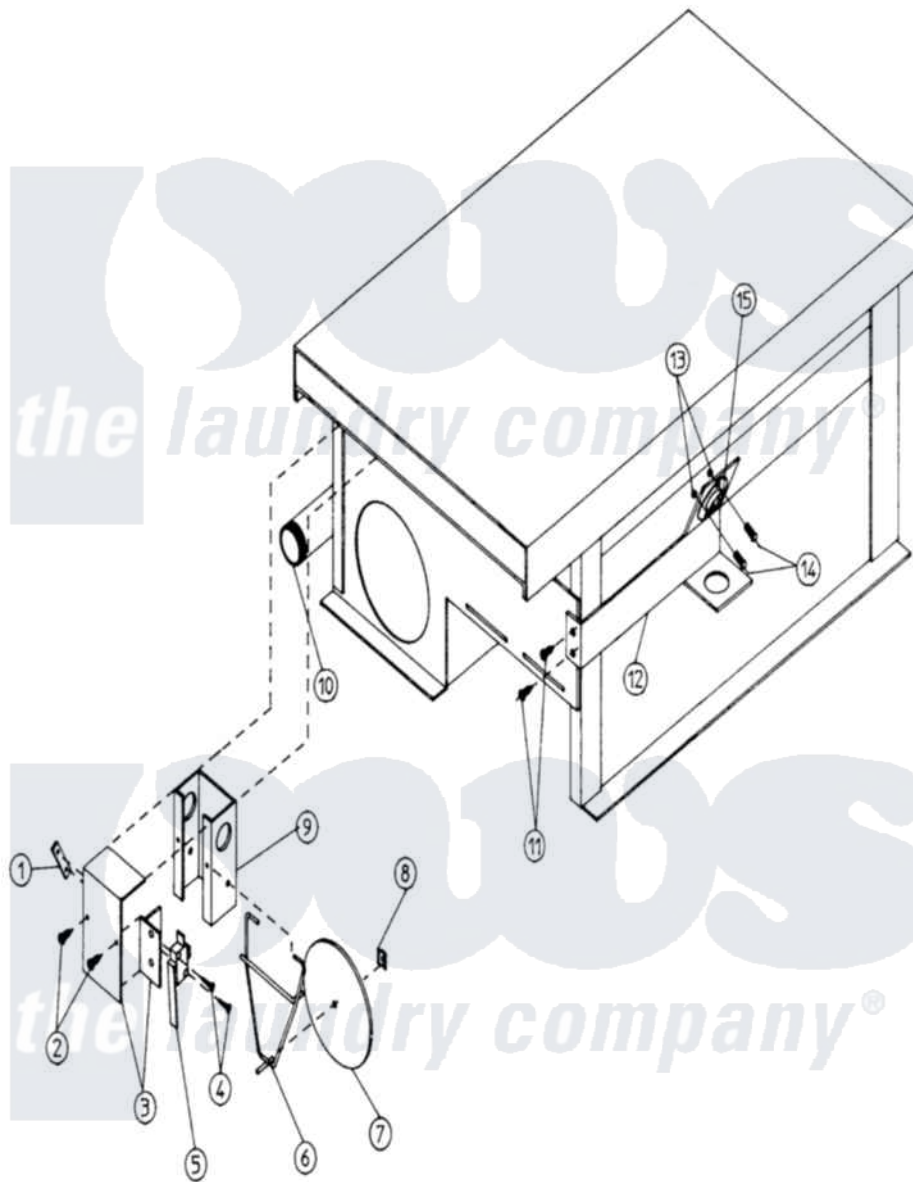


Maytag DG30PN1 14 - SAIL SWITCH/HI-LIMIT ASSEMBLY(DG50/30)



Maytag Commercial Maytag DG30PN1 Dryer Parts Parts Diagram 14 - SAIL SWITCH/HI-LIMIT ASSEMBLY(DG50/30)
 Click on the part number to view part

Item	Original Part Number	Replaced By	Status	Part Description
000	W10124350		Not Available	ORDER PARTS FROM AMERICAN DRYER CORP AT 508-678-9000
001	A154004	154004		Tinnerman
002	A150415		Not Available	SCREW, CRIMPTITE (PH. RD.HD.) (No.10-16 X 1/2" PH. RD. HD.)
003	A802799	802799		Sail Sw.bo
004	A150303	150303		4 X 3 4 P
005	A122200	122200		Sail Switch
006	A105500	W10146641		Std Sail S
007	A319202	W10146866		Sail Switch
008	A154002	154002		1 8 Push O
009	A802800	802800		Sail Switch
"	A802801	802801		Sail Switch
010	A142809	W10146757		1 2 X 29 1
011	A840055	840055		15-285 Sai
012	A830000	W10147405		15-25 Sail

013	A150415	Not Available	SCREW, CRIMPTITE (PH. RD.HD.) (No.10-16 X 1/2" PH. RD. HD.)
014	A319704	WB4X122	Medallion
015	A151000	WH12X195	Switch Assembly
016	A151001	W10146764	8-32 Pal N
017	A130401		HI-LIMIT (ONLY) (330 DEG.)

