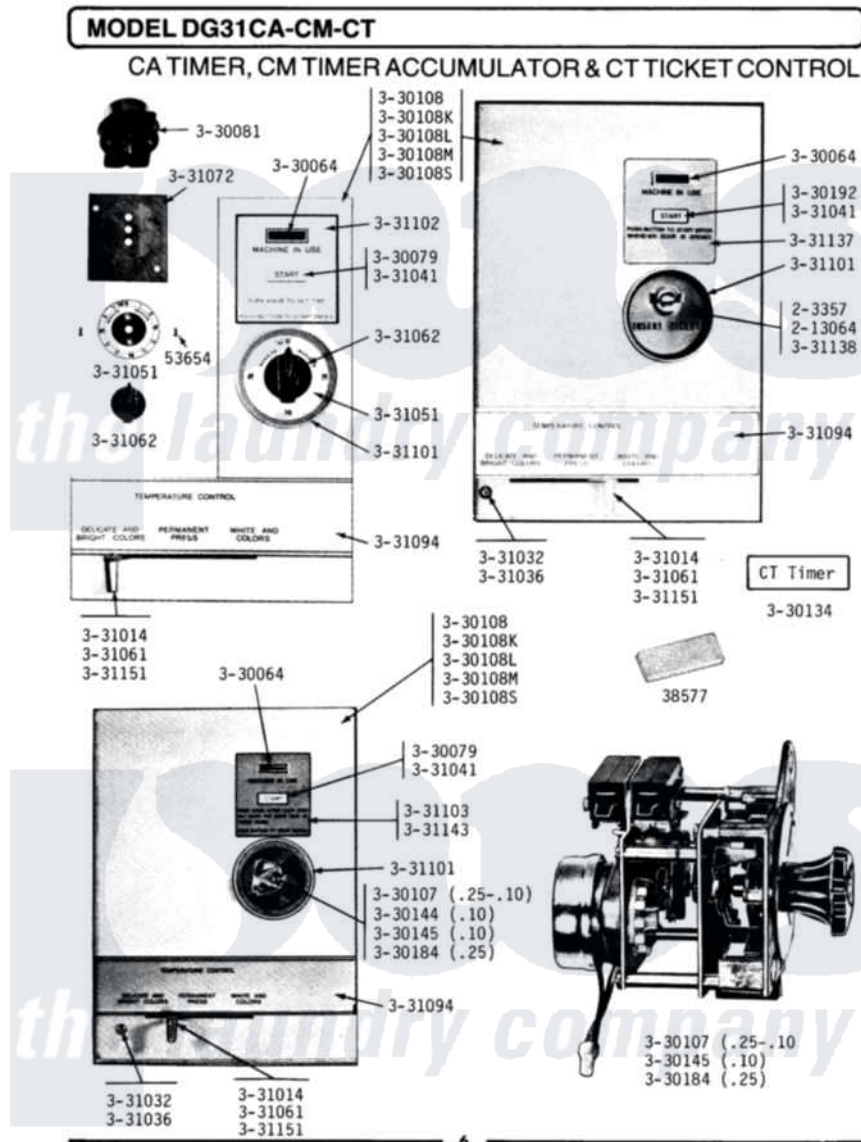


Maytag DG31CA 02 - TIMER ACCUMULATORS & TICKET CONTROL



Maytag Commercial Maytag DG31CA Dryer Parts Parts Diagram 02 - TIMER ACCUMULATORS & TICKET CONTROL
 Click on the part number to view part

| Item | Original Part Number | Replaced By | Status | Part Description |
|------|-------------------------|-------------|---------------|------------------------------|
| 001 | NLA | | Not Available | TOOL, ADJUST TIMING SWITCH |
| 002 | NLA | | Not Available | SCREW, No.5-40 X 3/8 |
| 003 | NLA | | Not Available | PALNUT |
| 004 | NLA | | Not Available | FRONT PLATE, TICKET CONTROL |
| 005 | Y330064 | | | Pilot Light |
| 006 | Y330079 | | Not Available | SWITCH, PUSH-TO-START |
| 007 | 330081 | | | Timer - CA 60 Minutes |
| 008 | NLA | | Not Available | PART NOT USED |
| 009 | NLA | | Not Available | FRONT PANEL (WHT) |
| 010 | 330108L | | Not Available | FRONT PANEL-ALMOND |
| 011 | 330108M | | Not Available | FRONT PANEL-HARVEST WHEAT |
| 012 | NLA | | Not Available | PART NOT USED |
| 013 | NLA | | Not Available | MOUNTING PLATE (ACCUMULATOR) |
| 014 | Y330145 | | Not Available | CONTA ACCUMULATOR |

| | | | |
|-----|------------------------|--------------------------|-----------------------------|
| 014 | 330143 | Not Available | ASSEMBLY |
| 015 | 330184 | | Timer Accumulator-25 |
| 016 | Y330192 | Not Available | SWITCH, PUSH TO START |
| 017 | 331014 | 8281196 | Screw |
| 018 | 331032 | 61002031 | Screw, Handle |
| 019 | 331036 | | Washer-Front Panel Screws |
| 020 | 331041 | | Button-Push-To-Start Switch |
| 021 | NLA | Not Available | TIMER DIAL - CA 60 MINUTES |
| 022 | 331061 | | Knob For Temperature Contro |
| 023 | NLA | Not Available | KNOB, TIMER |
| 024 | NLA | Not Available | MOUNTING PLATE, TIMER |
| 025 | NLA | Not Available | TRIM BAR, UPPER PANEL |
| 026 | 331101 | Not Available | BEZEL FOR TIMER-ACCUMULATOR |
| 027 | NLA | Not Available | INSTRUCTION PLATE |
| 028 | NLA | Not Available | PART NOT USED |
| 029 | NLA | Not Available | PART NOT USED |
| 030 | NLA | Not Available | MOUNTING PLATE-TICKET CONT |
| 031 | NLA | Not Available | INSTRUCT LABEL - SINGLE COI |
| 032 | 331151 | | Lever-Temperature Control |

