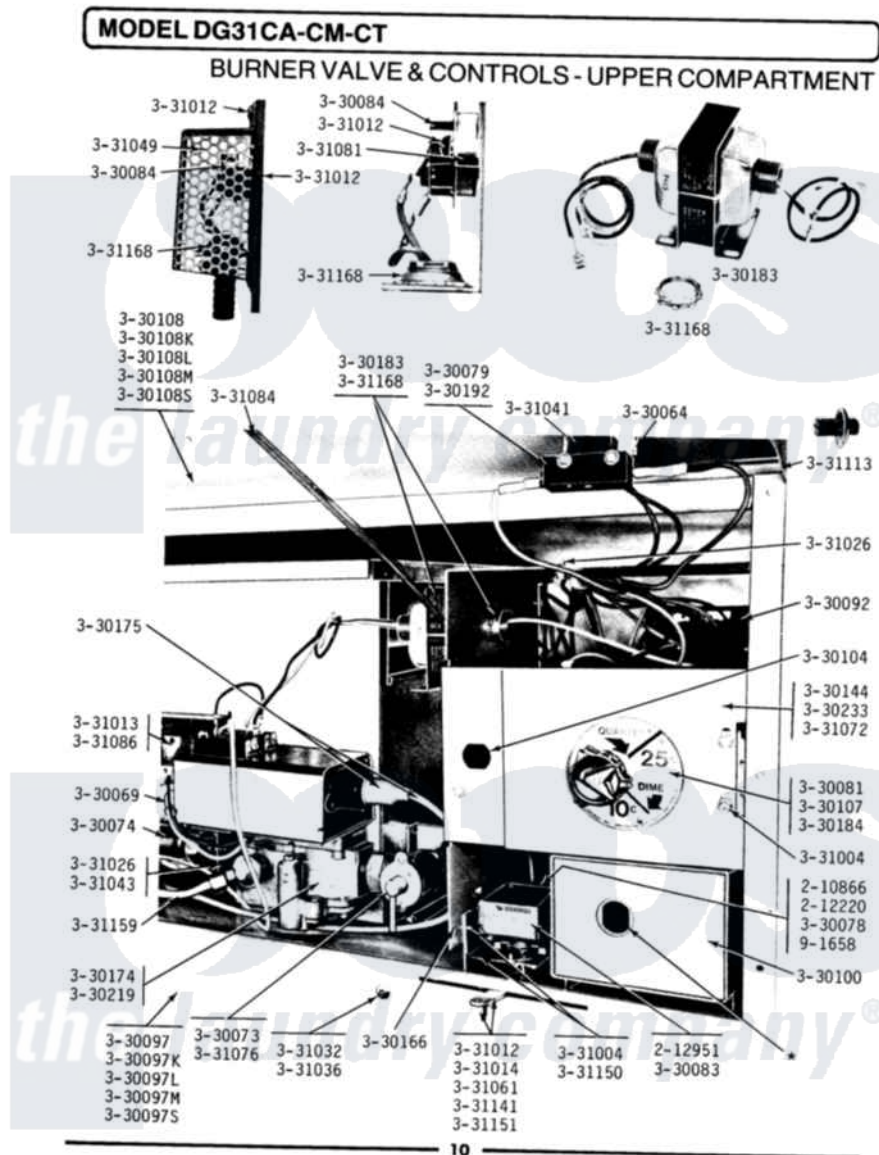


Maytag DG31CT 04 - BURNER VALVE & CONTROLS-UPPER COMP.



Maytag [Commercial Maytag DG31CT Dryer Parts](#) Parts Diagram 04 - BURNER VALVE & CONTROLS-UPPER COMP.
 Click on the part number to view part

Item	Original Part Number	Replaced By	Status	Part Description
001	210866			Nut, Twin Speed
002	212220	213501		Screw, No.6-20 X 1-1/8 Inch
003	212951			Screw, No.6-32 X 1/4 Inch
004	Y330064			Pilot Light
005	NLA		Not Available	BURNER, MAIN
006	Y330073			Valve, Shut-Off
007	NLA		Not Available	MANIFOLD FOR MAIN BURNER
008	Y330083		Not Available	CONTROL, TEMPERATURE
009	330084			Thermostat, Hi-Limit
010	Y330092			Terminal Block
011	NLA		Not Available	FRONT PANEL-WHITE
012	NLA		Not Available	FRONT PANEL-ALMOND
013	NLA		Not Available	FRONT PANEL-HARVEST WHEAT
014	Y330100		Not Available	COIN BOX ASSEMBLY
015	NLA		Not Available	LOCK

016	NLA	Not Available	FRONT PANEL-WHITE
017	330108L	Not Available	FRONT PANEL-ALMOND
018	330108M	Not Available	FRONT PANEL-HARVEST WHEAT
019	NLA	Not Available	VAULT ASSEMBLY
020	Y330174		Electronic Ignition Control
021	Y330175		Pilot Burner
022	330183	Not Available	TRANSFORMER
023	330184		Timer Accumulator-25
024	Y330192	Not Available	SWITCH, PUSH TO START
025	Y330219		Electronic Control Assembly
026	NLA	Not Available	SCREW - BRACKET TO VAULT
027	331012	400022-1	Screw
028	331013	Y0300830	Screw No.10-32 X .375
029	331014	8281196	Screw
030	331026	90767	Screw, 8A X 3/8 HeX Washer Head Tapping
031	331032	61002031	Screw, Handle
032	331036		Washer-Front Panel Screws
033	331041		Button-Push-To-Start Switch
034	NLA	Not Available	BRACKET FOR GAS CONTROL
035	331049	Not Available	VENTILATED COVER - HI-LIMIT
036	331061		Knob For Temperature Control
037	NLA	Not Available	GAS SUPPLY LINE-28 1/2 INCH
038	NLA	Not Available	SPACER - HI-LIMIT TO HOOD
039	331084	Not Available	SUPPORT ROD FOR UPPER DOOR
040	331086	Not Available	SHIELD FOR PILOT BURNER
041	NLA	Not Available	HINGE RIVET
042	NLA	Not Available	SCREW-TEMP CONTROL LEVER
043	NLA	Not Available	BRACKET-TEMPERATURE CONTROL
044	331151		Lever-Temperature Control
045	NLA	Not Available	PILOT LINE
046	NLA	Not Available	NUT FOR CONDUIT
047	NLA	Not Available	TWIN FASTENER WITH SCREWS

the laundry company[®]