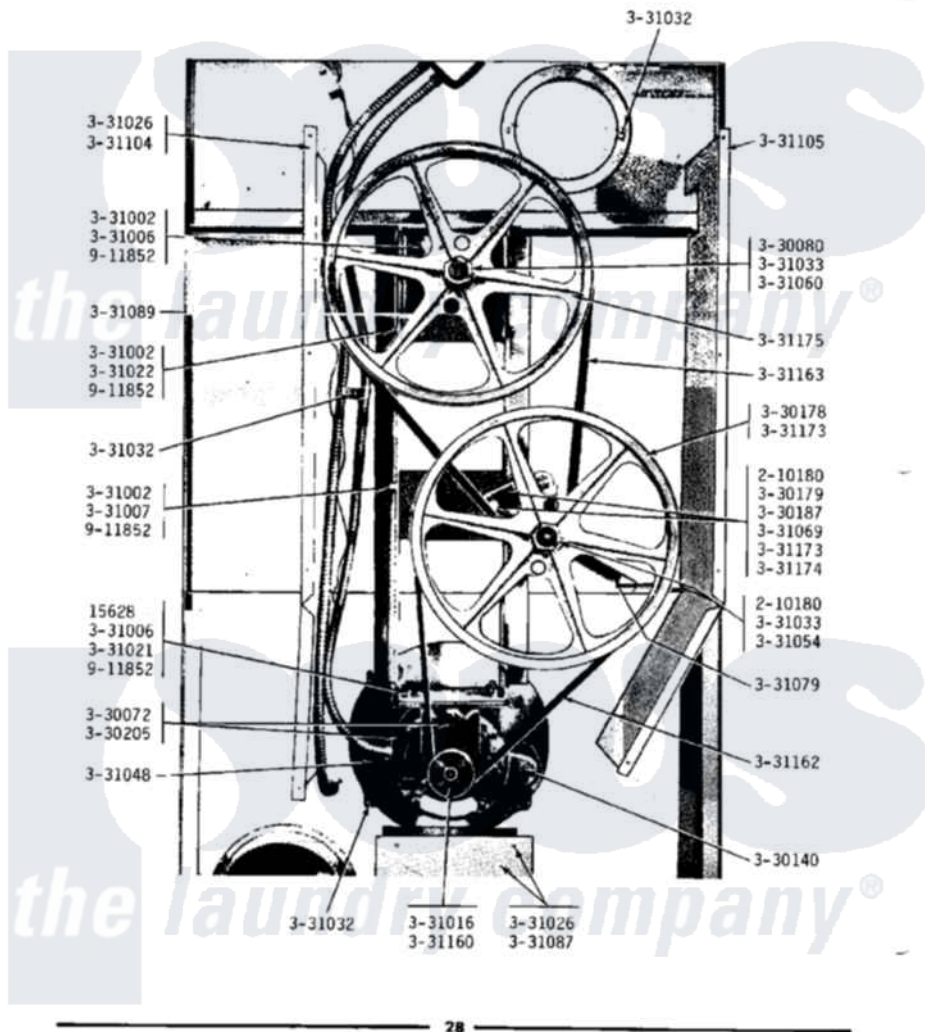


Maytag DG31CT 09 - REAR VIEW-SHIELD REMOVED

MODEL DG31CA-CM-CT REAR VIEW - SHIELD REMOVED



Maytag [Commercial Maytag DG31CT Dryer Parts](#) Parts Diagram 09 - REAR VIEW-SHIELD REMOVED
 Click on the part number to view part

Item	Original Part Number	Replaced By	Status	Part Description
001	NLA		Not Available	BOLT, 5/16 X 3/4 HEX
002	210180		Not Available	RETAINING RING
003	Y330072		Not Available	MOTOR COMPLETE
004	Y330080		Not Available	SPIDER & SHAFT ASSEMBLY
005	NLA		Not Available	CAPICATOR
006	Y330178			Reduction Pulley
007	Y330179			Bracket And Pin
008	330187		Not Available	IDLER ARM ASSEMBLY WITH PIN
009	NLA		Not Available	MOTOR BASE WITH CLAMPS
010	NLA		Not Available	BOLT FOR DRUM
011	NLA		Not Available	NUT-DRUM SUPPORT BOLT, 5/16
012	NLA		Not Available	NUT-DRUM SUPPORT BOLT, 3/8
013	NLA		Not Available	SET SCREW FOR MOTOR PULLEY

014	NLA		Not Available	WASHER - MOTOR SUPPORT BOLT
015	NLA		Not Available	WASHER FOR DRUM SUPPORT
016	331026	90767		Screw, 8A X 3/8 HeX Washer Head Tapping
017	331032	61002031		Screw, Handle
018	331033			Hex Nut-Drum Pulley Shaft
019	331048		Not Available	COVER FOR BLOWER IMPELLER
020	331054			Grease Fitting - Pulley Pin
021	331060			Key For Drum
022	331069			Pivot Pin For Tension Arms
023	331079		Not Available	TENSION SPRING
024	NLA		Not Available	SHIELD FOR MOTOR
025	331089			Shim For Drum Rod
026	NLA		Not Available	SUPPORT FOR REAR COVER-LEFT
027	NLA		Not Available	RIB, TUMBLER (ONLY)
028	331160			Motor Pulley
029	331162	A55		Multiplus Dual Brand V Belt
030	331163	33331163		V-Belt
031	331173		Not Available	WASHER
032	331174		Not Available	IDLER BRACKET
033	331175		Not Available	DRUM PULLEY
034	911852	486009		Lockwasher

the laundry company®

the laundry company®