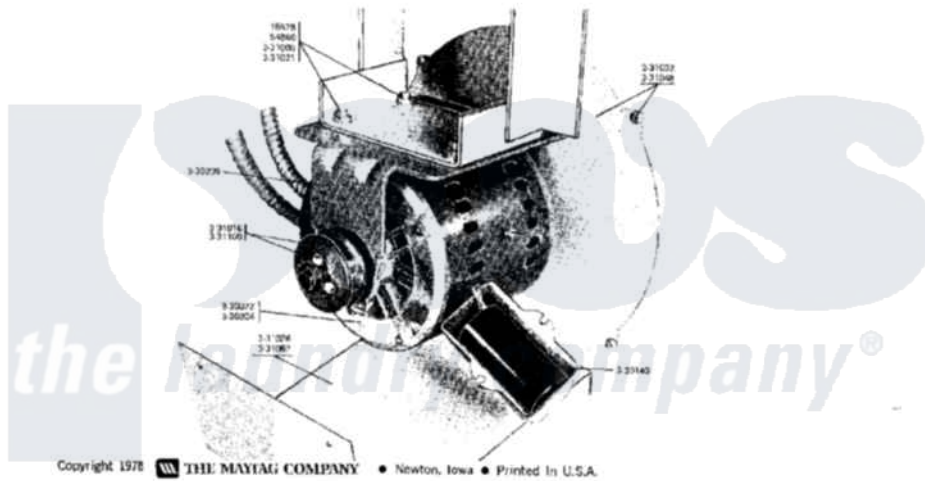
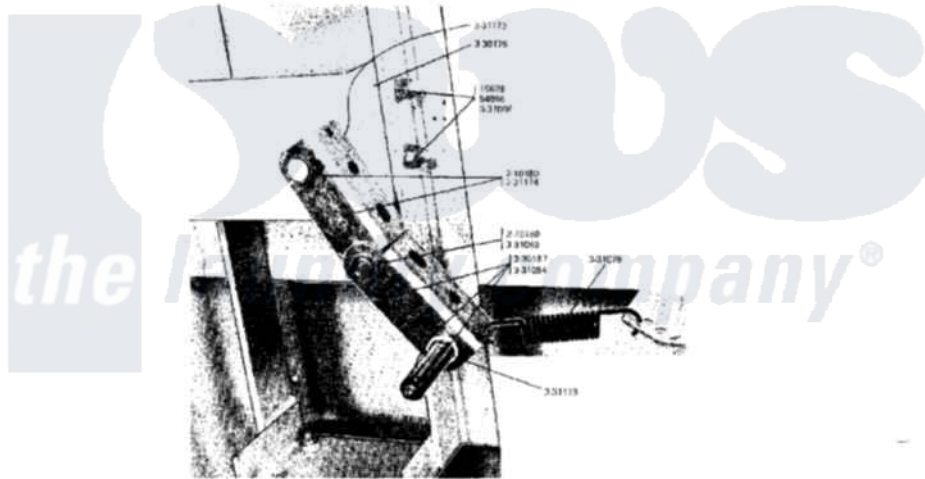


Maytag DG32CT 18 - MOTOR & TENSION ARM ASSEMBLY

38

MODEL DG-32 CA-CM-CT MOTOR & TENSION ARM ASSEMBLY



Copyright 1978 THE MAYTAG COMPANY • Newton, Iowa • Printed in U.S.A.

Maytag Commercial Maytag DG32CT Dryer Parts Parts Diagram 18 - MOTOR & TENSION ARM ASSEMBLY
Click on the part number to view part

Item	Original Part Number	Replaced By	Status	Part Description
001	NLA		Not Available	BOLT, 5/16 X 3/4 HEX
002	Y054866	486009		Lockwasher
003	210180		Not Available	RETAINING RING
004	Y330072		Not Available	MOTOR COMPLETE
005	NLA		Not Available	CAPICATOR
006	Y330179			Bracket And Pin
007	330187		Not Available	IDLER ARM ASSEMBLY WITH PIN
008	NLA		Not Available	INTERNAL MOTOR SWITCH
009	NLA		Not Available	MOTOR BASE W/CLAMPS
010	NLA		Not Available	NUT-DRUM SUPPORT BOLT, 5/16
011	NLA		Not Available	SET SCREW, MOTOR PULLEY
012	NLA		Not Available	WASHER - MOTOR SUPPORT BOLT
013	331026	90767		Screw, 8A X 3/8 HeX Washer Head Tapping

014	331032	61002031	Screw, Handle	
015	331048		Not Available	COVER FOR BLOWER IMPELLER
016	331054			Grease Fitting - Pulley Pin
017	331069			Pivot Pin For Tension Arms
018	331079		Not Available	TENSION SPRING
019	NLA		Not Available	SHIELD, MOTOR
020	331160			Motor Pulley
021	331173		Not Available	WASHER
022	331174		Not Available	IDLER BRACKET
023			Not Available	

