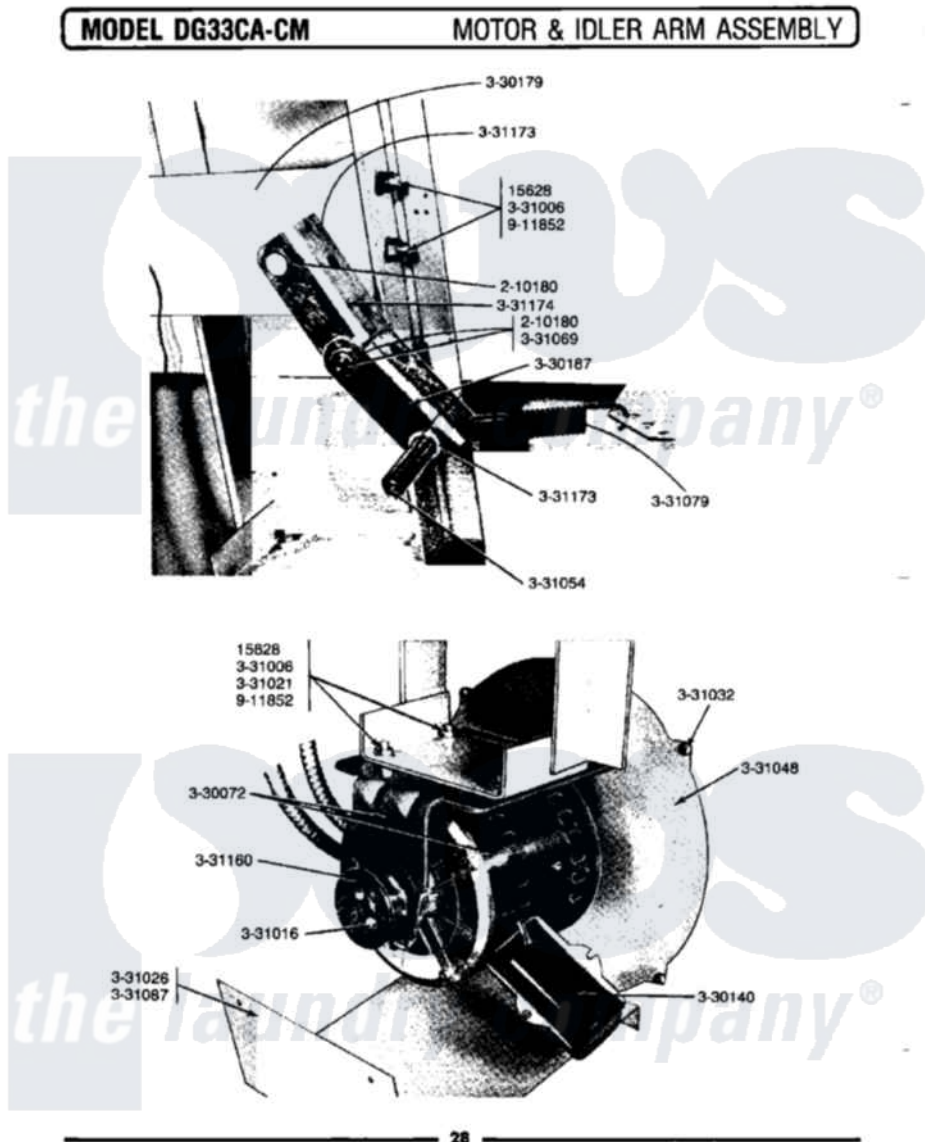


# Maytag DG33CM 12 - MOTOR & IDLER ARM ASSEMBLY



Maytag Commercial Maytag DG33CM Dryer Parts Parts Diagram 12 - MOTOR & IDLER ARM ASSEMBLY  
 Click on the part number to view part

Item	Original Part Number	Replaced By	Status	Part Description
001	NLA		Not Available	BOLT, 5/16 X 3/4 HEX
002	210180		Not Available	RETAINING RING
003	Y330072		Not Available	MOTOR COMPLETE
004	NLA		Not Available	CAPICATOR
005	<a href="#">Y330179</a>			Bracket And Pin
006	330187		Not Available	IDLER ARM ASSEMBLY WITH PIN
007	NLA		Not Available	INTERNAL MOTOR SWITCH
008	NLA		Not Available	NUT-DRUM SUPPORT BOLT, 5/16
009	NLA		Not Available	SET SCREW, MOTOR PULLEY
010	NLA		Not Available	WASHER - MOTOR SUPPORT BOLT
011	331026	<a href="#">90767</a>		Screw, 8A X 3/8 HeX Washer Head Tapping
012	331032	<a href="#">61002031</a>		Screw, Handle
013	331048		Not Available	COVER FOR BLOWER IMPELLER

014	<a href="#">331054</a>		Grease Fitting - Pulley Pin
015	<a href="#">331069</a>		Pivot Pin For Tension Arms
016	331079	Not Available	TENSION SPRING
017	NLA	Not Available	SHIELD, MOTOR
018	NLA	Not Available	SUPPORT, REAR COVER (LT)
019	NLA	Not Available	SUPPORT, REAR COVER (RT)
020	<a href="#">331160</a>		Motor Pulley
021	<a href="#">331162</a>	<a href="#">A55</a>	Multiplus Dual Brand V Belt
022	331173	Not Available	WASHER
023	331174	Not Available	IDLER BRACKET
024	911852	<a href="#">486009</a>	Lockwasher

*the laundry company*<sup>®</sup>

*the laundry company*<sup>®</sup>

*the laundry company*<sup>®</sup>