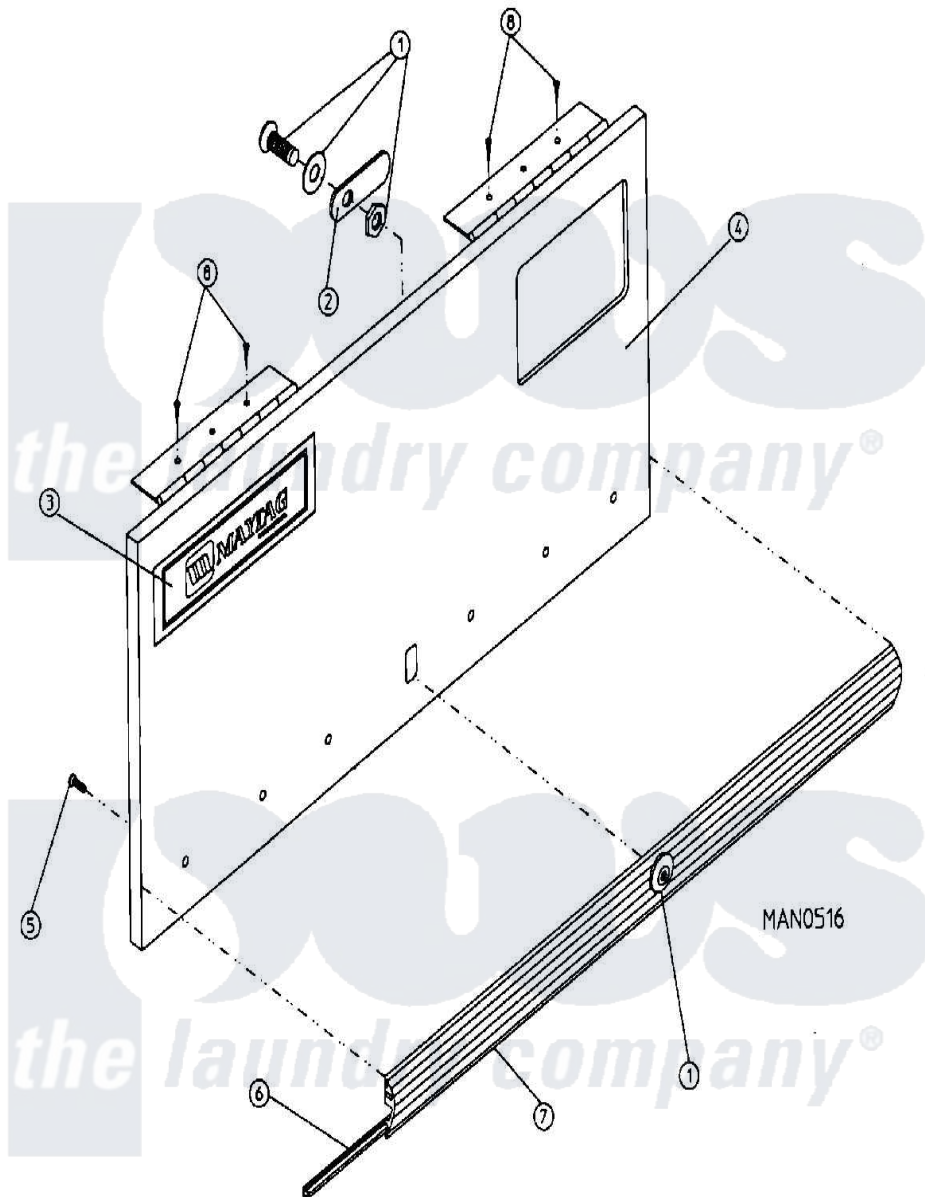


Maytag DG50PN1 01 - CONTROL DOOR ASSEMBLY (DG30/50)



Maytag Commercial Maytag DG50PN1 Dryer Parts Parts Diagram 01 - CONTROL DOOR ASSEMBLY (DG30/50)
 Click on the part number to view part

Item	Original Part Number	Replaced By	Status	Part Description
000	W10124350		Not Available	ORDER PARTS FROM AMERICAN DRYER CORP AT 508-678-9000
001	A160017		Not Available	LOCK, SPECIAL DUMMY
"	A160038	883977		4451 Control
"	A160140	160140		Key Only F
002	A160016	160016		1 1 4 Str
003	A112343	112343		Maytag Log
004	A800023	800023		15-30 Hi-S
"	A900022		Not Available	DOOR ASSY, CONTROL
005	A180200	180200		15 30 TO
"	A180201	W10149336		25 50 To
006	A102307		Not Available	GASKET, TRIM BUMPER (SOLD IN FEET)
007	A150201	150201		10-32 X 1
008	A150415		Not Available	SCREW, CRIMPTITE (PH. RD.HD.) (No.10-16 X 1/2" PH. RD. HD.)

009	A102600	Not Available	CATCH, ROD SUPPORT-CTRL. DOOR
010	A102601	Not Available	CLIP, RETAINER (CONTROL DOOR ROD)
011	A102502	102502	12.625 Con

