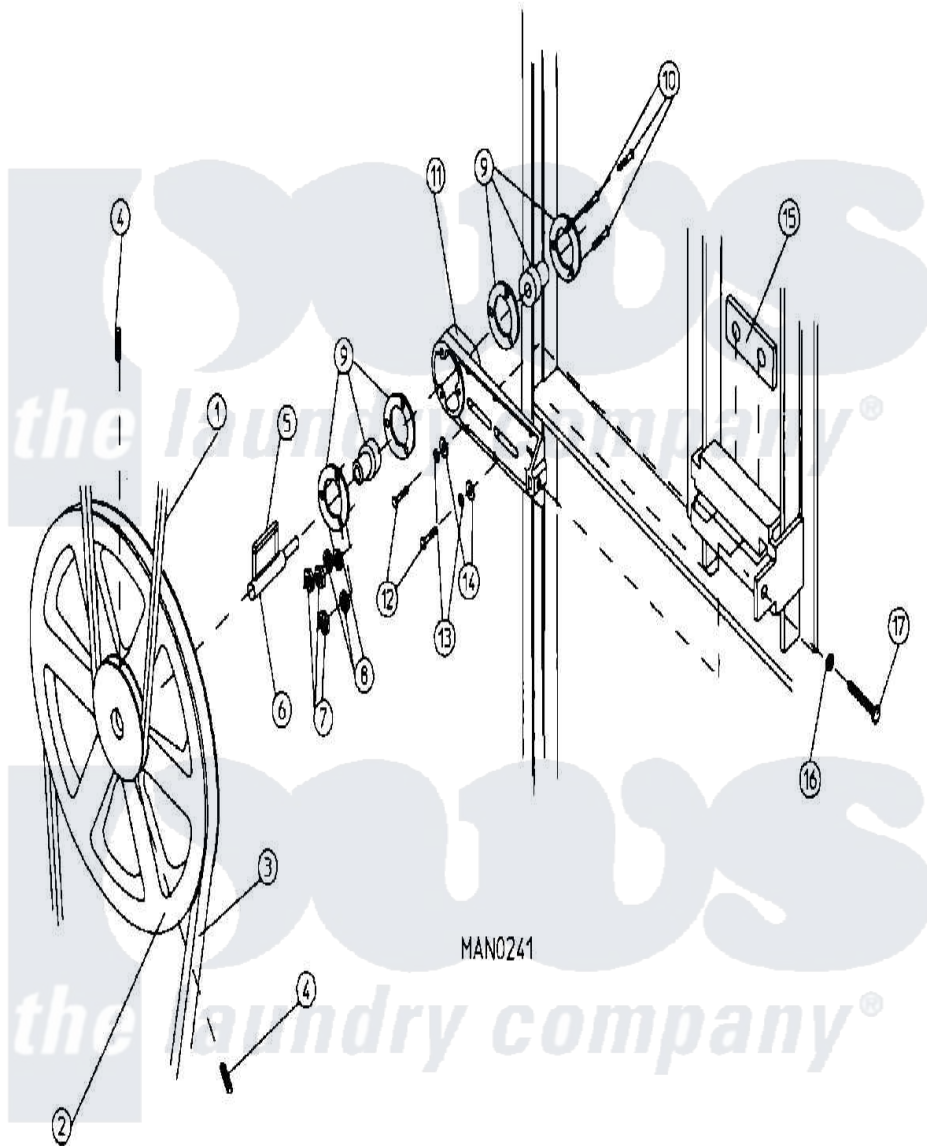


Maytag DG50PN1 12 - IDLER BEARING ASSEMBLY (DG30/50)



Maytag [Commercial Maytag DG50PN1 Dryer Parts](#) Parts Diagram 12 - IDLER BEARING ASSEMBLY (DG30/50)
 Click on the part number to view part

Item	Original Part Number	Replaced By	Status	Part Description
000	W10124350		Not Available	ORDER PARTS FROM AMERICAN DRYER CORP AT 508-678-9000
001	A100108	W10146555		5/1680 Belt
002	A101140	W10146634		14 X 3 C
"	NLA		Not Available	PULLEY W/KEY(9" X 2 1/2")
003	A100110	W10146556		4/1500 V be
"	A100112	W10146558		4/1610 V be
004	A154301	154301		5 16-18 X
005	A100705	100705		3 16 X 3
006	A301850			SHAFT, IDLER (5/8" X 3/4")
007	A152002	152002		1 4-20 Hex
008	A153007	153007		1 4 Split
009	A100214		Not Available	BEARING, FLANGE (5/8")
010	A150521	150521		1 4-20 X 2
011	NLA		Not Available	IDLER BEARING ASSEMBLY
012	A150617	150617		3 8-16 X 1

013	A153005	153005	3 8 Split
014	A153004	153004	3 8 X 1
015	A801009	801009	Idler Squa
016	A152004	8182933	Nut, Hex
017	A150509	150509	5 16-18 X

