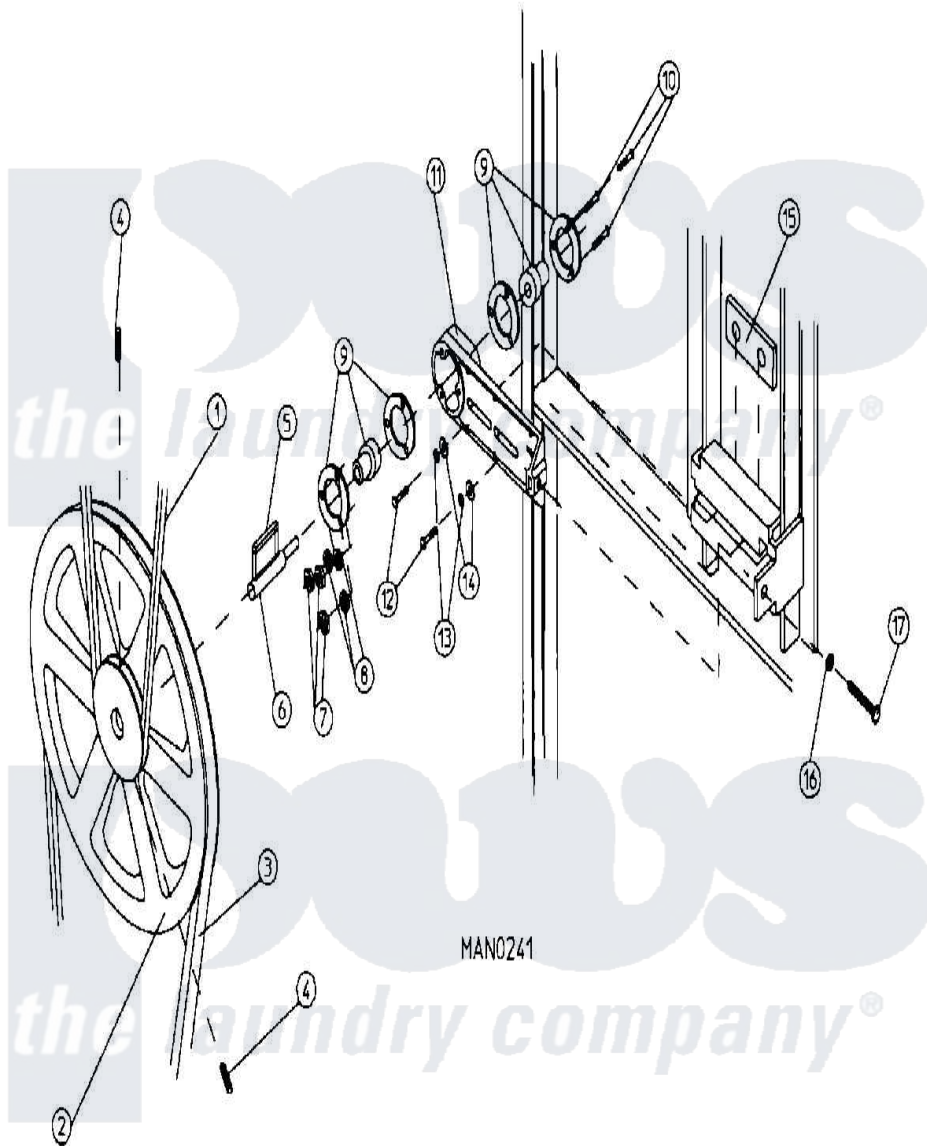


# Maytag DG75PN1 12 - IDLER BEARING ASSEMBLY (DG75PN1)



Maytag [Commercial Maytag DG75PN1 Dryer Parts](#) Parts Diagram 12 - IDLER BEARING ASSEMBLY (DG75PN1)  
 Click on the part number to view part

Item	Original Part Number	Replaced By	Status	Part Description
000	W10124350		Not Available	ORDER PARTS FROM AMERICAN DRYER CORP AT 508-678-9000
001	A100106	<a href="#">100106</a>		Belt
002	A101140	<a href="#">W10146634</a>		14 X 3 C
003	A100117		Not Available	4L620 "V" BELT (TO IDLER ASSY)
004	A154301	<a href="#">154301</a>		5 16-18 X
005	A100705	<a href="#">100705</a>		3 16 X 3
006	<a href="#">A301850</a>			SHAFT, IDLER (5/8" X 3/4")
007	A152002	<a href="#">152002</a>		1 4-20 Hex
008	A153007	<a href="#">153007</a>		1 4 Split
009	A100214		Not Available	BEARING, FLANGE (5/8")
010	A150521	<a href="#">150521</a>		1 4-20 X 2
011	NLA		Not Available	IDLER BEARING ASSEMBLY
012	A150617	<a href="#">150617</a>		3 8-16 X 1
013	A153005	<a href="#">153005</a>		3 8 Split

014	A153004	<a href="#">153004</a>	3 8 X 1
015	A801009	<a href="#">801009</a>	Idler Squa
016	A152004	<a href="#">8182933</a>	Nut, Hex
017	A150509	<a href="#">150509</a>	5 16-18 X

