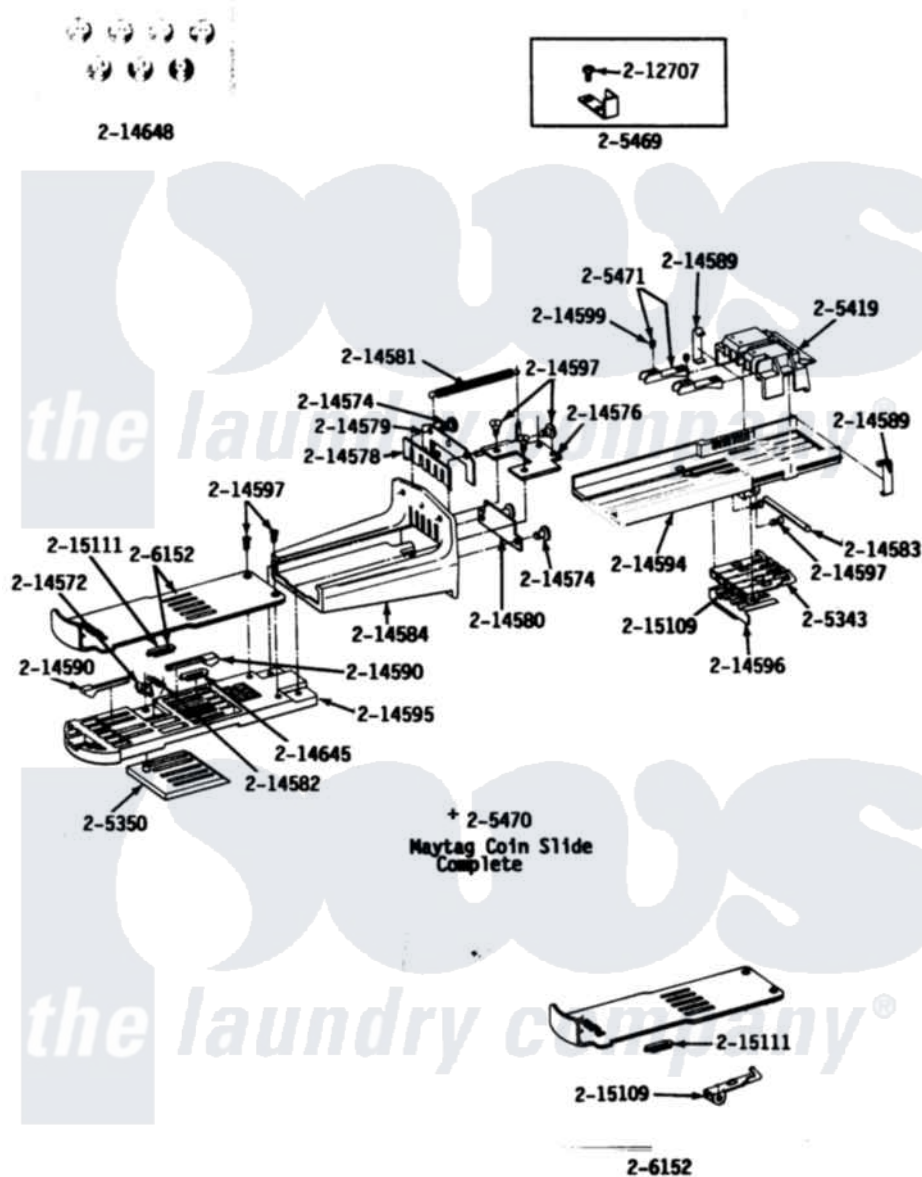


# Maytag GA25CM 04 - MAYTAG COIN SLIDE



Maytag [Commercial Maytag GA25CM Washer Parts](#) Parts Diagram 04 - MAYTAG COIN SLIDE  
 Click on the part number to view part

Item	Original Part Number	Replaced By	Status	Part Description
001	205343		Not Available	LOWER GAGE ARM ASSEMBLY
002	<a href="#">205350</a>			Stop Block Assembly
NI	NLA		Not Available	MEASURING BLOCK ASSEMBLY
004	205469		Not Available	ACTUATOR KIT FOR COIN SLIDE
NI	NLA		Not Available	MAYTAG COIN SLIDE
"	NLA		Not Available	MOVABLE COIN GAGE
"	NLA		Not Available	SLIDE PLATE W/NICKEL INSERT
008	212707	<a href="#">3196385</a>		Screw
009	214572		Not Available	ARM, RATCHET
NI	NLA		Not Available	STUD FOR COIN SLIDE
"	NLA		Not Available	END BRACKET FOR SLIDE
012	<a href="#">214578</a>			Gate For Coin Opening
NI	NLA		Not Available	RETAINER FOR GATE
"	NLA		Not Available	RETAINER FOR GAGE

	NLA	Not Available	SPRING
015	<a href="#">214581</a>		Spring, Return
016	<a href="#">214582</a>		Spring For Ratchet Arm
NI	NLA	Not Available	PIN FOR LOWER GAGE ARM
018	214584	Not Available	HOUSING FOR COIN SLIDE
019	<a href="#">214589</a>		Clip, Spring
NI	NLA	Not Available	PLUG FOR COIN OPENING
021	214594	Not Available	BASE INSERT FOR HOUSING
NI	NLA	Not Available	SLIDE BODY
023	<a href="#">214596</a>		Spring For Lower Gage Arm
024	<a href="#">214597</a>		Screw
NI	NLA	Not Available	SET SCREW FOR GAGE
"	NLA	Not Available	DIME INSERT
027	<a href="#">214648</a>		Decal, Coinage
NI	NLA	Not Available	LOWER GAGE ARM
"	NLA	Not Available	NICKEL INSERT

