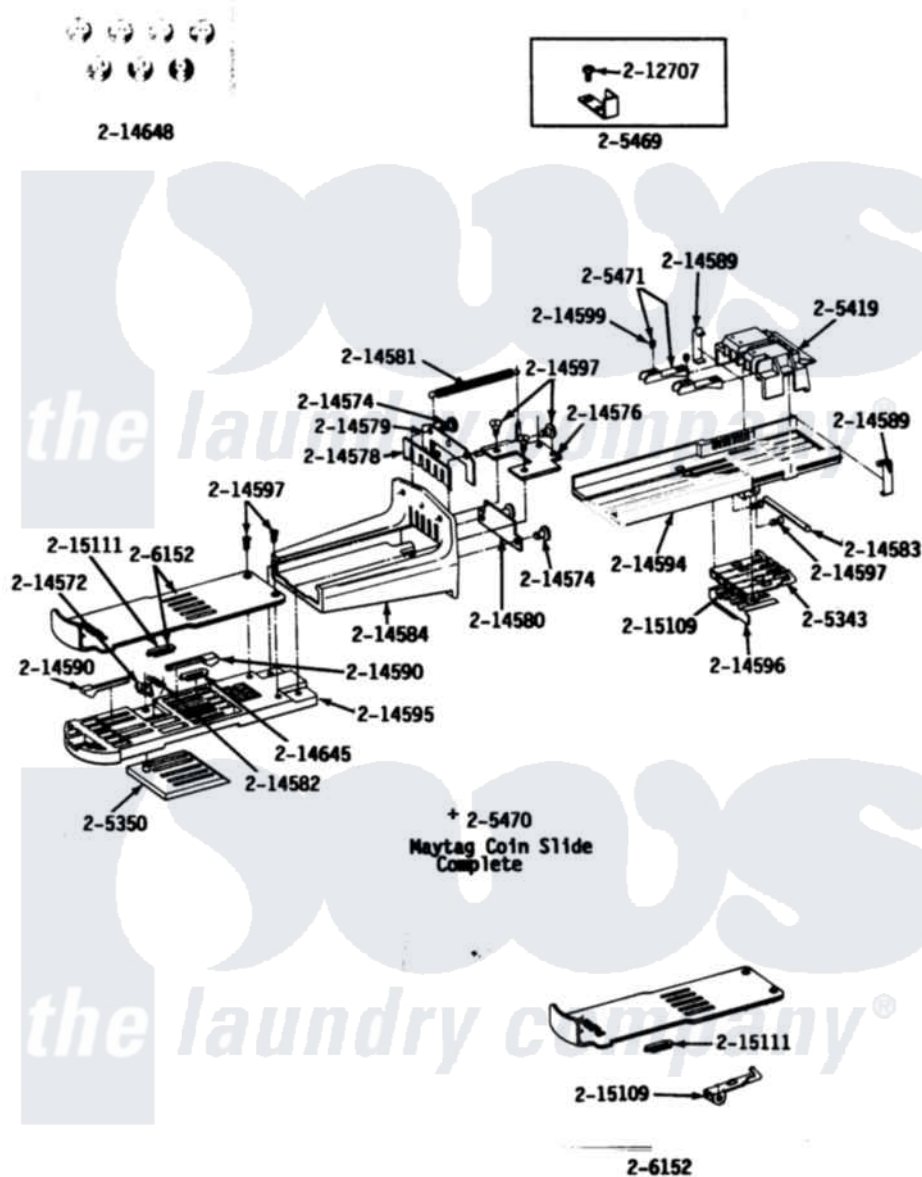


Maytag GA25CS 04 - MAYTAG COIN SLIDE



Maytag [Commercial Maytag GA25CS Washer Parts](#) Parts Diagram 04 - MAYTAG COIN SLIDE
 Click on the part number to view part

Item	Original Part Number	Replaced By	Status	Part Description
001	205343		Not Available	LOWER GAGE ARM ASSEMBLY
002	205350			Stop Block Assembly
NI	NLA		Not Available	MEASURING BLOCK ASSEMBLY
004	205469		Not Available	ACTUATOR KIT FOR COIN SLIDE
NI	NLA		Not Available	MAYTAG COIN SLIDE
"	NLA		Not Available	MOVABLE COIN GAGE
"	NLA		Not Available	SLIDE PLATE W/NICKEL INSERT
008	212707	3196385		Screw
009	214572		Not Available	ARM, RATCHET
NI	NLA		Not Available	STUD FOR COIN SLIDE
"	NLA		Not Available	END BRACKET FOR SLIDE
012	214578			Gate For Coin Opening
NI	NLA		Not Available	RETAINER FOR GATE
"	NLA		Not Available	RETAINER FOR GAGE

	NLA	Not Available	SPRING
015	214581		Spring, Return
016	214582		Spring For Ratchet Arm
NI	NLA	Not Available	PIN FOR LOWER GAGE ARM
018	214584	Not Available	HOUSING FOR COIN SLIDE
019	214589		Clip, Spring
NI	NLA	Not Available	PLUG FOR COIN OPENING
021	214594	Not Available	BASE INSERT FOR HOUSING
NI	NLA	Not Available	SLIDE BODY
023	214596		Spring For Lower Gage Arm
024	214597		Screw
NI	NLA	Not Available	SET SCREW FOR GAGE
"	NLA	Not Available	DIME INSERT
027	214648		Decal, Coinage
NI	NLA	Not Available	LOWER GAGE ARM
"	NLA	Not Available	NICKEL INSERT

