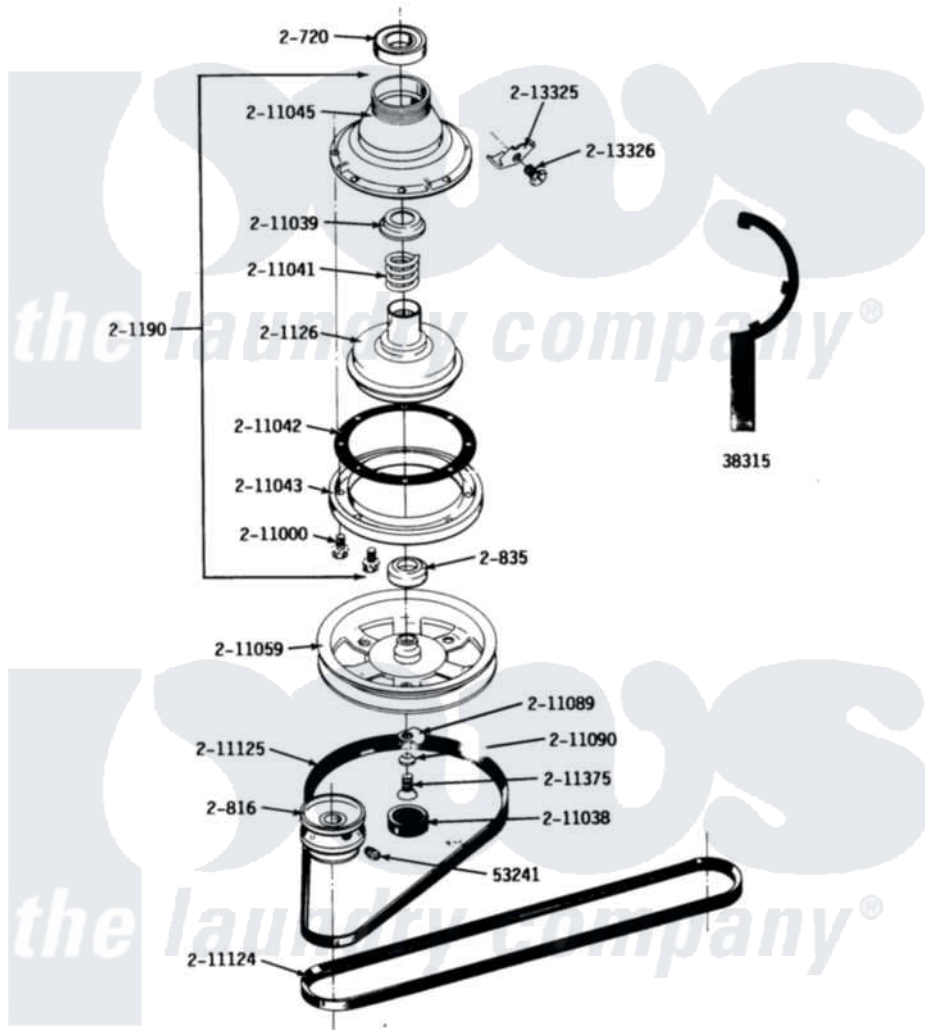


Maytag GA25CT 10 - CLUTCH, BRAKE & BELTS

ALL MODELS

CLUTCH, BRAKE AND BELTS



32

Maytag [Commercial Maytag GA25CT Washer Parts](#) Parts Diagram 10 - CLUTCH, BRAKE & BELTS

[Click on the part number to view part](#)

| Item | Original Part Number | Replaced By | Status | Part Description |
|------|-------------------------|---------------------------|---------------|------------------------------|
| 001 | Y038315 | 038315 | | Tool |
| 002 | Y053241 | | | Set Screw, Motor Pulley |
| 003 | Y200720 | 22003441 | | Bearing, Rear |
| 004 | 200816 | 6-2008160 | | Pulley- MO |
| 005 | 200835 | | | Bearing, Brake Rotor |
| 006 | 201126 | 6-2011900 | | Brake Asse |
| 007 | 201190 | 6-2011900 | | Brake Asse |
| 008 | 211000 | | | SCREW, BRAKE DRUM (HEX HEAD) |
| NI | NLA | | Not Available | CAP, OIL RETAINER |
| 010 | 211039 | 6-2011900 | | Brake Asse |
| 011 | 211041 | 6-2011900 | | Brake Asse |
| 012 | 211042 | 6-2011900 | | Brake Asse |
| 013 | 211043 | 6-2011900 | | Brake Asse |
| 014 | 211045 | 6-2011900 | | Brake Asse |
| 015 | 211059 | 6-2301530 | | Pulley |
| 016 | 211089 | | | Lug, Stop Pulley |

| | | | |
|-----|------------------------|--------------------------|---------------------------|
| 017 | 211090 | 22003555 | Washer, Stop Lug |
| 018 | 211124 | | Part Not Used |
| 019 | 211125 | | V Belt, Drive Pulley |
| 020 | 211375 | 681582 | Screw |
| 021 | 213325 | | Clip, Retaining |
| 022 | 213326 | | Bolt, Sems Retaining Clip |

