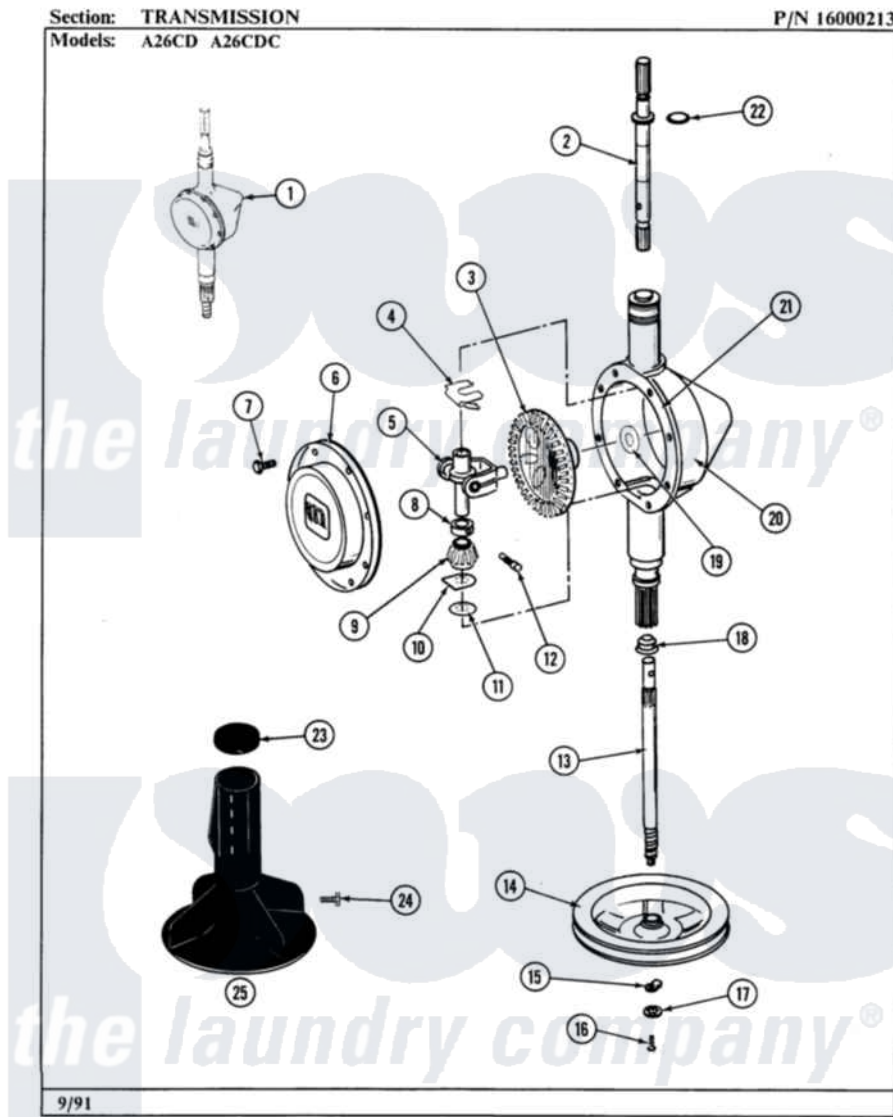


Maytag GA26CD 07 - TRANSMISSION



14

Maytag [Commercial Maytag GA26CD Washer Parts](#) Parts Diagram 07 - TRANSMISSION
Click on the part number to view part

| Item | Original Part Number | Replaced By | Status | Part Description |
|------|-------------------------|---------------------------|---------------|---------------------------------|
| 001 | 206707 | 6-2097750 | | Trans Dee |
| 002 | 207153 | 6-2097820 | | Kit- Shaft |
| 003 | 206713 | 6-2067130 | | Gear- Beve |
| 004 | 215581 | | | Spring, Agitator Shaft |
| 005 | 206685 | 6-2066850 | | Yoke |
| 006 | 206628 | | | Cover, Transmission |
| 007 | 215417 | | Not Available | SCREW, TRANSMISSION COVER |
| 008 | 215415 | | Not Available | COLLAR, LOWER |
| 009 | 215401 | W10221114 | | Pinion |
| 010 | 215395 | | | Plate, Clutch |
| 011 | 211483 | 6-2114830 | | Washer- SP |
| 012 | Y206629 | | | Pin, Collar |
| 013 | 215410 | 12001450 | | Ctr Shaft W/Collar Andkeeper-Dp |
| 014 | 211059 | 6-2301530 | | Pulley |
| 015 | 211089 | | | Lug, Stop Pulley |

| | | | |
|-----|------------------------|---------------------------|-----------------------------|
| 016 | 211375 | 681582 | Screw |
| 017 | 211090 | 22003555 | Washer, Stop Lug |
| 018 | 206602 | 207843 | Lip Seal Repair Kit |
| 019 | 215394 | | Washer, Bevel Gear |
| 020 | 206624 | 6-2097750 | Trans Dee |
| 021 | Y058700 | 675652 | Adhesive |
| 022 | 210690 | | Seal, Rubber |
| 023 | 215532 | | Cap, Agitator |
| 024 | 206478 | Not Available | SCREW & WASHER FOR AGITATOR |
| 025 | 207119 | 207228 | Agitator W/Lock Screw |

