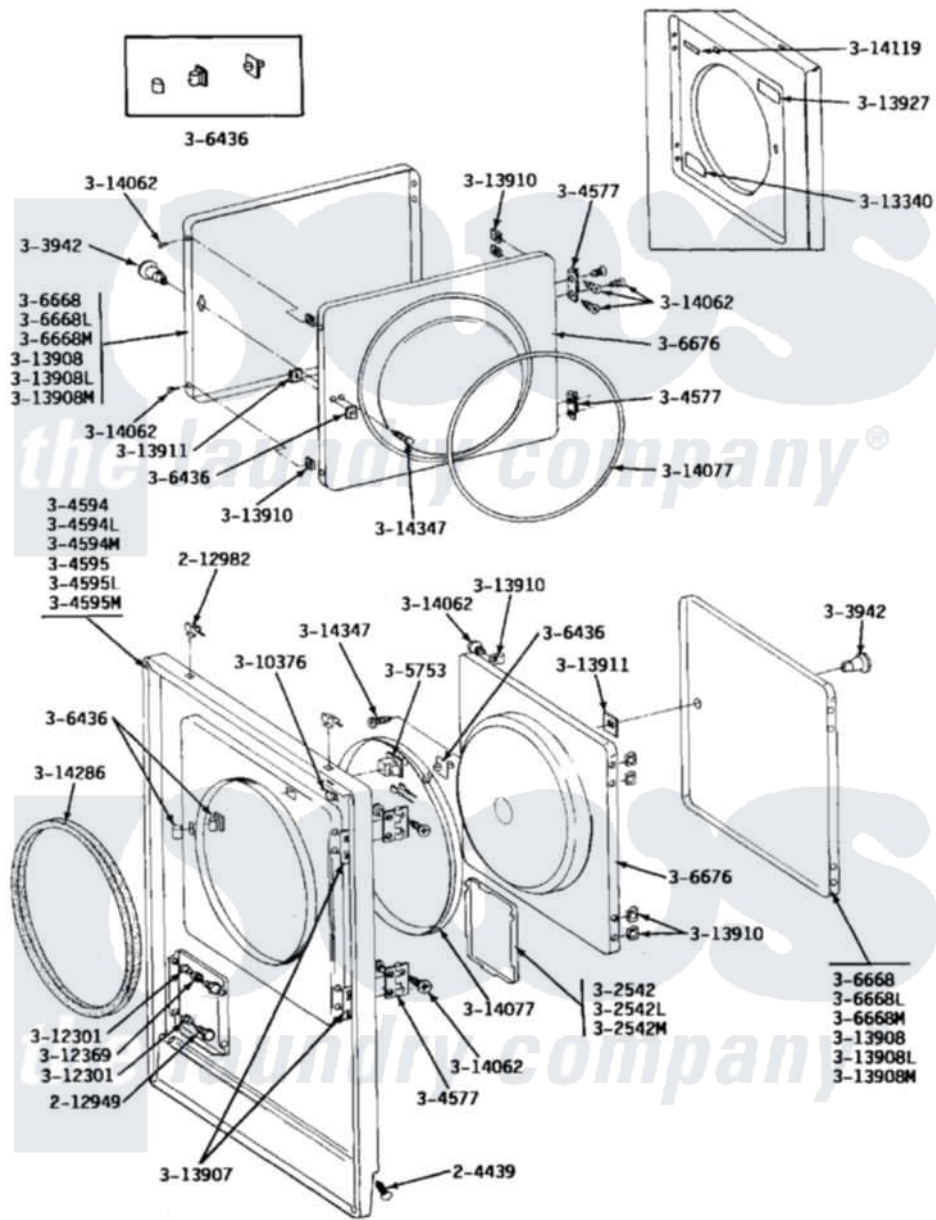


Maytag GDE19CD 03 - FRONT PANEL & DOOR ASSEMBLY



Maytag Commercial Maytag GDE19CD Dryer Parts Parts Diagram 03 - FRONT PANEL & DOOR ASSEMBLY
 Click on the part number to view part

| Item | Original Part Number | Replaced By | Status | Part Description |
|------|-------------------------|---------------------------|---------------|---------------------------|
| 001 | 204439 | | | Screw And Fstner Assembly |
| 002 | 212949 | 22001866 | | Screw, Relay |
| 003 | 212982 | 22001650 | | Fastener, Spring |
| NI | NLA | | Not Available | ACCESS DOOR (WHITE) |
| " | NLA | | Not Available | ACCESS DOOR-ALMOND |
| " | NLA | | Not Available | ACCESS DOOR-HARVEST WHEAT |
| " | NLA | | Not Available | KNOB AND SCREW |
| " | NLA | | Not Available | FRONT PANEL-WHITE |
| " | NLA | | Not Available | FRONT PANEL-ALMOND |
| " | NLA | | Not Available | FRONT PANEL-HARVEST WHEAT |
| 014 | Y304577 | 33001230 | | Hinge, Door |
| 015 | Y305753 | W10169313 | | Switch-Dor |
| 016 | 306436 | | | Door Latch Kit--W |
| 017 | Y306668 | | | DOOR (WHT) |
| NI | NLA | | Not Available | DOOR-ALMOND |

| | | | |
|-----|-------------------------|---------------|---|
| " | NLA | Not Available | DOOR-HARVEST WHEAT |
| " | NLA | Not Available | INNER DOOR WITH KNOB |
| 021 | Y310376 | | Clip, Door Switch Harness |
| NI | NLA | Not Available | BUSHING FOR ACCESS STUD |
| 023 | 312369 | | Sleeve, Access Panel Stud Part Not Used |
| 024 | Y313340 | | LABEL, LINT SCREEN INSTRUCTION |
| 025 | Y313907 | | Fastener, Twin |
| 026 | Y313908 | | DOOR PANEL-WHITE |
| NI | NLA | Not Available | DOOR PANEL-ALMOND |
| " | NLA | Not Available | DOOR PANEL-HARVEST WHEAT |
| 029 | Y313910 | | Clip, Door Liner To Outer Panel |
| 030 | Y313911 | | Door Strike Retainer |
| 031 | Y313927 | | INSTRUCTION LABEL |
| 032 | Y314062 | | Screw, Door Hinge And Panel |
| 033 | 314077 | | Door Seal |
| NI | NLA | Not Available | GAS IGNITION LABEL |
| 035 | 314286 | | Seal For Front Panel |
| NI | NLA | Not Available | SCREW FOR DOOR KNOB---NA |

