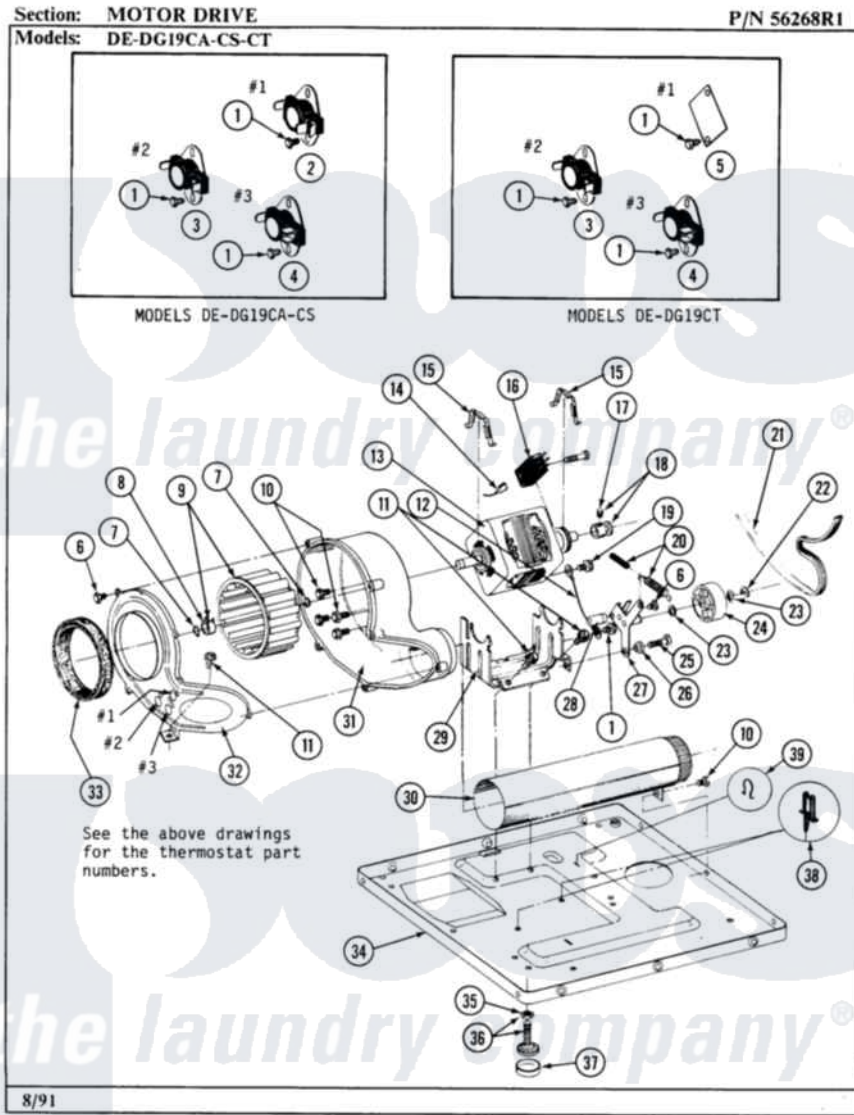


Maytag GDE19CS 07 - MOTOR DRIVE



Maytag [Commercial Maytag GDE19CS Dryer Parts](#) Parts Diagram 07 - MOTOR DRIVE
 Click on the part number to view part

| Item | Original Part Number | Replaced By | Status | Part Description |
|------|-------------------------|---------------------------|---------------|---|
| 001 | 211294 | 90767 | | Screw, 8A X 3/8 HeX Washer Head Tapping |
| 002 | Y303225 | | | Thermostat, Permanent Press |
| 003 | 303392 | | | Thermostat, Cycling |
| 004 | Y303391 | 33303391 | | Thermostat, Cycling |
| 005 | Y312853 | | | Cover For Thermostat Openin |
| 006 | Y312961 | W10116751 | | Screw |
| 007 | 410233 | 9703438 | | Ring-Retrn |
| 008 | 312967 | | | Clamp, Blower Housing |
| 009 | Y303836 | | | Blower Wheel Assembly And Clamp |
| 010 | Y310632 | 1163839 | | Screw |
| 011 | Y313561 | | | Screw---NA |
| 012 | 901220 | | | Ground Wire |
| 013 | Y303358 | W10410999 | | Motor-Drive |
| 014 | NLA | | Not Available | WIRE |
| 015 | Y015825 | | | Clip, Motor To Motor Support |

| | | | | |
|-----|-------------------------|---------------------------|---------------|---|
| 016 | 306207 | | Not Available | (PROD. No.303358-8 & No.303358-9) |
| " | NLA | | Not Available | SWITCH, MOTOR START |
| " | Y303877 | | Not Available | SWITCH, MOTOR EXTERNAL START No.303358-2, No.303358-4, 303358-7 |
| " | Y303879 | | | Switch, Motor External Start |
| 017 | Y053241 | | | Set Screw, Motor Pulley |
| 018 | Y305185 | 6-3051850 | | Pulley- MO |
| 019 | 910343 | 488234 | | Screw 8-32 X 1/4 |
| 020 | Y303945 | | | IDLER SPRING ASSY. W/PLUG |
| 021 | Y312959 | | | Poly "V" Belt For Tumbler |
| 022 | 312958 | 354987 | | Ring, Retaining |
| 023 | Y312527 | | | Washer, Idler Shaft |
| 024 | Y303705 | 6-3037050 | | Pulley- ID |
| 025 | Y014874 | | | Screw, Idler Arm And Sleeve |
| 026 | Y312894 | 315772 | | Sleeve, Idler Arm |
| 027 | Y303363 | 6-3033630 | | Idler Arm |
| 028 | Y313582 | W10116756 | | Spacer |
| 029 | NLA | | Not Available | SUPPORT, MOTOR |
| 030 | Y303442 | | | EXHAUST DUCT ASSEMBLY |
| 031 | Y312893 | | | Housing, Blower |
| 032 | Y313770 | | | COVER FOR BLOWER HOUSING |
| 033 | Y312901 | | | Seal, Housing Cover |
| 034 | Y303361 | | Not Available | BASE ASSY. (UPPER & LOWER) |
| 035 | Y052740 | 62739 | | Nut, Lock |
| 036 | Y305086 | | | Adjustable Leg And Nut |
| 037 | Y314137 | | | Foot, Rubber |
| 038 | Y313262 | W10116752 | | Retainer- |
| 039 | 410490 | | | Spring, Retainer Wire Harness |

