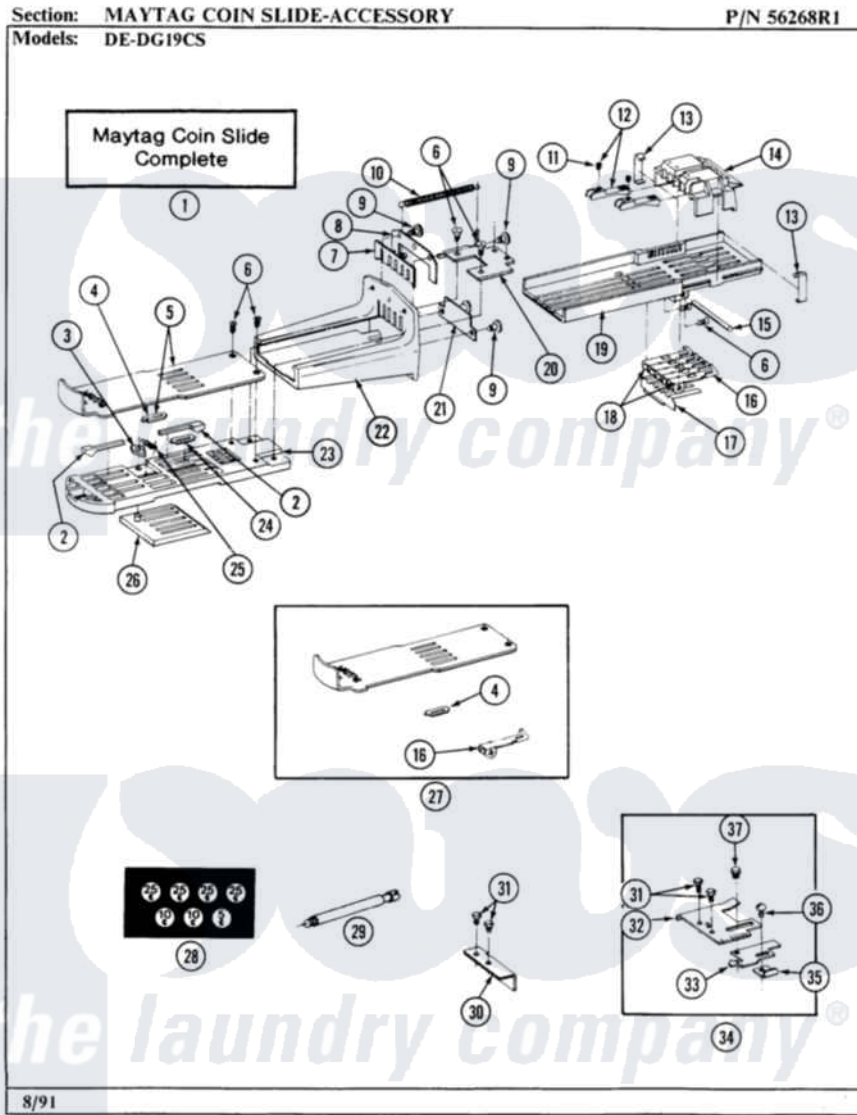


Maytag GDE19CS 12 - MAYTAG COIN SLIDE-ACCESSORY



22

Maytag Commercial Maytag GDE19CS Dryer Parts Parts Diagram 12 - MAYTAG COIN SLIDE-ACCESSORY
 Click on the part number to view part

Item	Original Part Number	Replaced By	Status	Part Description
001	NLA		Not Available	MAYTAG COIN SLIDE
002	NLA		Not Available	PLUG FOR COIN OPENING
003	214572		Not Available	ARM, RATCHET
004	NLA		Not Available	NICKEL INSERT
005	NLA		Not Available	SLIDE PLATE W/NICKEL INSERT
006	214597			Screw
007	214578			Gate For Coin Opening
008	NLA		Not Available	RETAINER FOR GATE
009	NLA		Not Available	STUD FOR COIN SLIDE
010	214581			Spring, Return
011	NLA		Not Available	SET SCREW FOR GAGE
012	NLA		Not Available	MOVABLE COIN GAGE
013	214589			Clip, Spring
014	NLA		Not Available	MEASURING BLOCK ASSEMBLY
015	NLA		Not Available	PIN FOR LOWER GAGE ARM

016	NLA		Not Available	LOWER GAGE ARM
017	214596			Spring For Lower Gage Arm
018	205343		Not Available	LOWER GAGE ARM ASSEMBLY
019	214594		Not Available	BASE INSERT FOR HOUSING
020	NLA		Not Available	END BRACKET FOR SLIDE
021	NLA		Not Available	RETAINER FOR GAGE SPRING
022	214584		Not Available	HOUSING FOR COIN SLIDE
023	NLA		Not Available	SLIDE BODY
024	NLA		Not Available	DIME INSERT
025	214582			Spring For Ratchet Arm
026	205350			Stop Block Assembly
027	NLA		Not Available	SLIDE PLATE W/NICKEL INSERT
028	214648			Decal, Coinage
029	213035			Bolt, Locking
030	314334			Bracket For Coin Slide
031	212707	3196385		Screw
032	Y312577			Bracket For Slide
033	Y312578			Slide Adjustment
034	Y302924		Not Available	ACTUATOR KIT-DRYER SLIDES
035	Y312576			Zero Slide Adjustment
036	NLA		Not Available	SCREW ADJUSTMENT ASSEMBLY
037	Y313588	488234		Screw 8-32 X 1/4

the laundry company[®]

the laundry company[®]