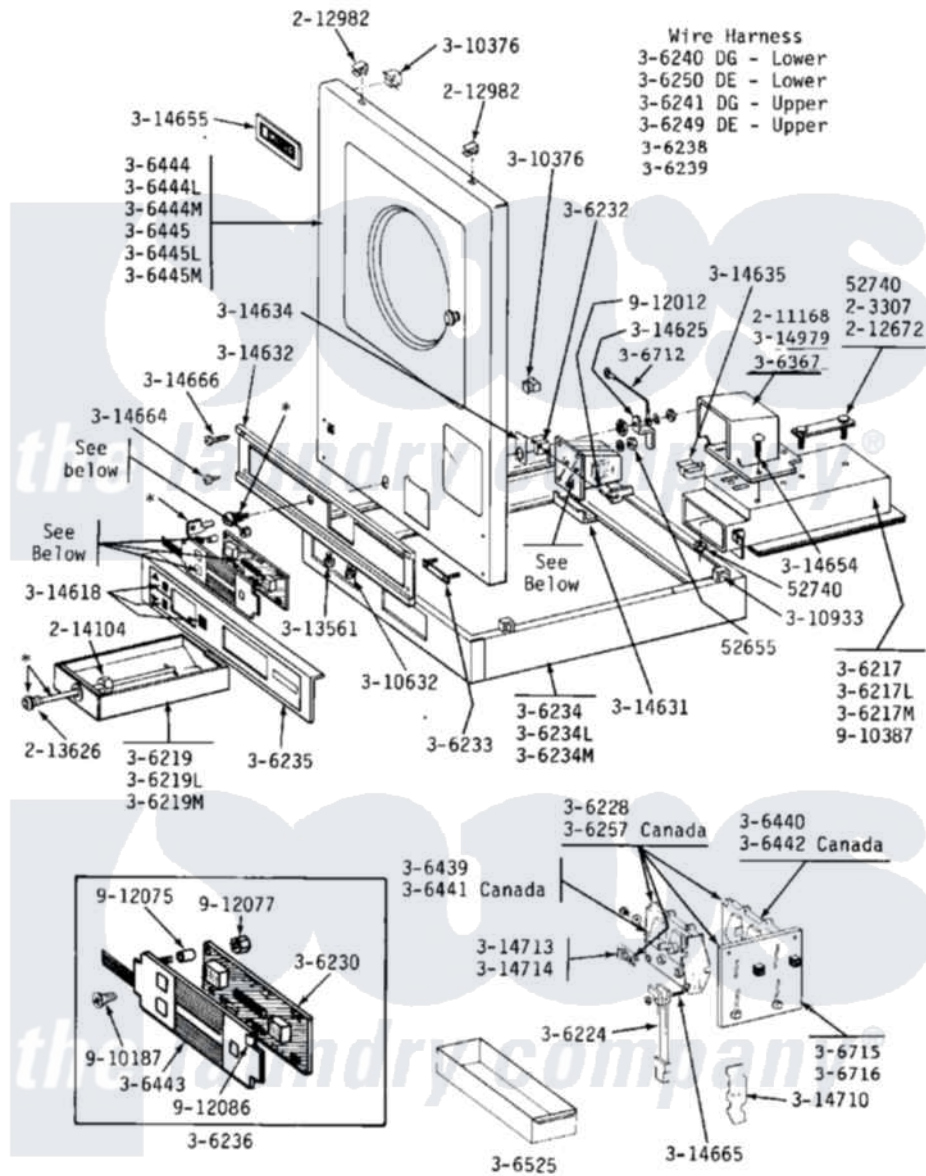


# Maytag GDE23CD 03 - CONTROLS & UPPER DRYER FRONT PANEL



\*Contact your commercial laundry distributor for locks and keys.

Maytag [Commercial Maytag GDE23CD Dryer Parts](#) Parts Diagram 03 - CONTROLS & UPPER DRYER FRONT PANEL  
 Click on the part number to view part

Item	Original Part Number	Replaced By	Status	Part Description
001	<a href="#">Y052655</a>			Hex Nut, No.8-32
002	<a href="#">Y052740</a>	<a href="#">62739</a>		Nut, Lock
NI	NLA		Not Available	MTG. STRAP---NA
004	211168	<a href="#">W10139210</a>		Screw, 8-18 X 5/16
NI	NLA		Not Available	WASHER
"	NLA		Not Available	WASHER
007	212982	<a href="#">22001650</a>		Fastener, Spring
NI	NLA		Not Available	SPRING WASHER, LOCK
009	<a href="#">214104</a>			Reinforcing Nut For Coin BO
NI	NLA		Not Available	CNT. HARNESS MICROPROCESSOR
"	NLA		Not Available	(ALM)
"	NLA		Not Available	(H. WHEAT)
013	306219	<a href="#">308143</a>		Tray, Coin
NI	NLA		Not Available	(ALM)
"	NLA		Not Available	(H. WHEAT)
016	Y306224		Not Available	COIN SENSOR SWITCH

017	306228		Not Available	DUAL COIN ACCEPTOR
NI	NLA		Not Available	CONTROL BOARD ASSEMBLY
019	<a href="#">Y306232</a>			Switch, Access
020	306233		Not Available	STRAP, COIN ACCEPTOR
NI	NLA		Not Available	COUPLING COLLAR (WHT)
"	NLA		Not Available	(ALM)
"	NLA		Not Available	(H. WHEAT)
"	NLA		Not Available	LOWER PANEL----NA
"	NLA		Not Available	CONTROL & TOUCH PAD ASSY.
"	NLA		Not Available	EDGE BOARD CONNECTOR
"	NLA		Not Available	EDGE BOARD CONNECTOR
030	306249		Not Available	WIRE HARNESS (UPPER, ELEC)
031	306250		Not Available	WIRE HARNESS (LOWER, ELEC)
NI	NLA		Not Available	DUAL COIN ACCEPTOR (CAN)
"	NLA		Not Available	COIN DROP ASSEMBLY----NA
034	<a href="#">306439</a>			REJECTOR ASSEMBLY-\$.10
NI	NLA		Not Available	REJECTOR ASSEMBLY (\$.25)
"	NLA		Not Available	REJECTOR ASSY. (\$.10 CAN.)
"	NLA		Not Available	REJECTOR ASSY. (\$.25 CAN.)
038	<a href="#">306443</a>			Touch Pad Assembly
NI	NLA		Not Available	FRONT PANEL (WHT)
"	NLA		Not Available	(ALM)
"	NLA		Not Available	(H. WHEAT)
"	NLA		Not Available	COIN SEPARATOR ASSEMBLY
046	Y306712	<a href="#">Y303981</a>		Ground Wire For Latch
NI	NLA		Not Available	FRONT PLATE W/GND. WIRES
048	<a href="#">Y306716</a>			Front Plate Assembly
049	<a href="#">Y310376</a>			Clip, Door Switch Harness
050	Y310632	<a href="#">1163839</a>		Screw
051	310933	<a href="#">33002194</a>		Nut, Speed
052	<a href="#">Y313561</a>			Screw----NA
053	<a href="#">314618</a>			Lens
054	314625	<a href="#">206637</a>		Lock Kit
055	<a href="#">314631</a>			Bracket, Coin Mechanism
NI	NLA		Not Available	UPPER CONTROL EXTRUSION
057	<a href="#">314634</a>			Bracket, Access Switch
058	<a href="#">314635</a>			Chute, Coin
059	<a href="#">314654</a>			Bolt, Coin Drop Cover
NI	NLA		Not Available	NAME PLATE
061	314664	<a href="#">212277</a>		Screw, No.8 X 1/2 Inch
062	<a href="#">314665</a>			Screw, Switch Assembly
063	314666		Not Available	SCREW, PANEL (UPR)
064	314710		Not Available	COIN SLOT COVER (ACCESS)
065	<a href="#">314713</a>			Balance Arm W/Weight-\$.10

NI	NLA	Not Available	BALANCE ARM W/WEIGHT (\$25)
067	314979	Not Available	SHIELD, ACCESS SWITCH
068	<a href="#">910187</a>		Screw
069	912012	<a href="#">3400409</a>	Screw
070	<a href="#">912075</a>		Spacer, Circuit Board
071	<a href="#">912077</a>		Locknut, Reader Harness
072	<a href="#">912086</a>		Clip, Speed

