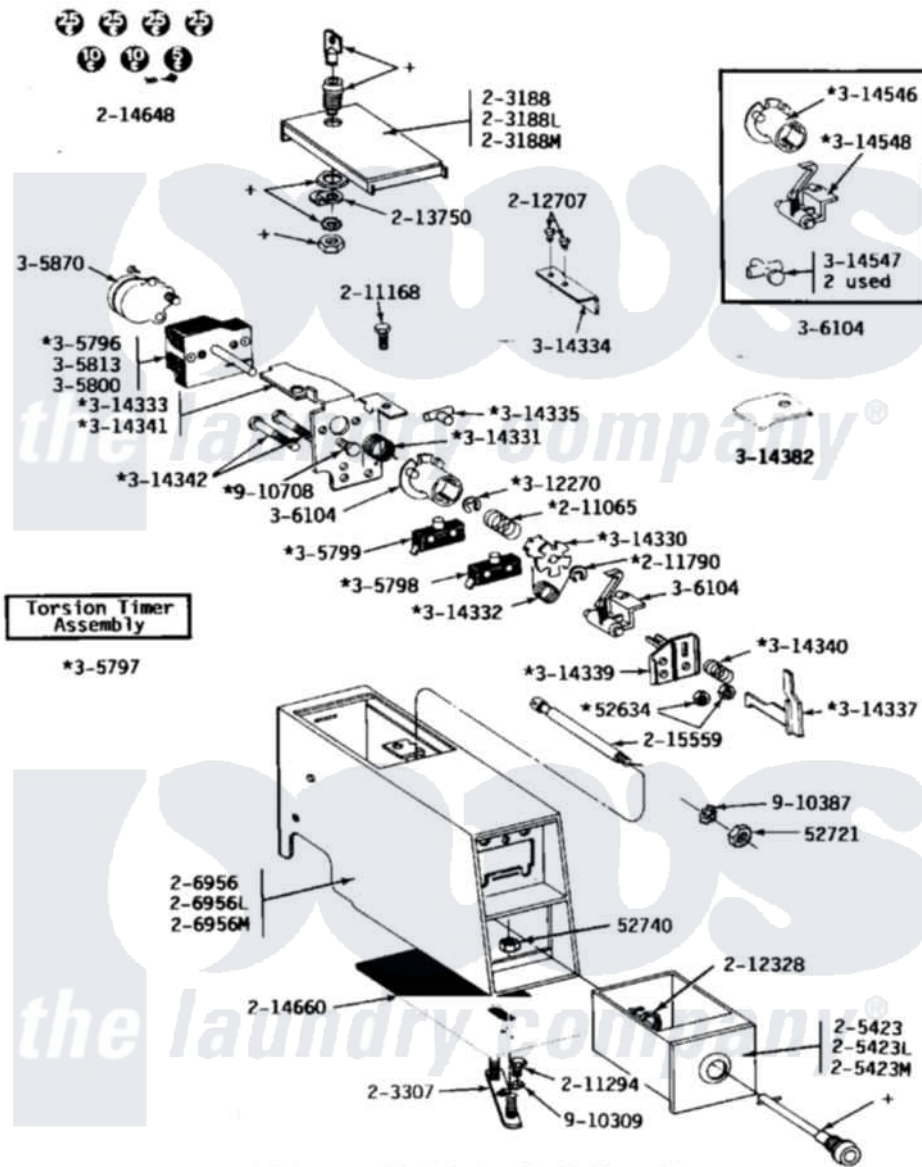


# Maytag GDE24CS 02 - CS CONTROL PANEL/COIN BOX



+Contact your commercial laundry distributor for locks and keys.

Maytag [Commercial Maytag GDE24CS Dryer Parts](#) Parts Diagram 02 - CS CONTROL PANEL/COIN BOX  
 Click on the part number to view part

Item	Original Part Number	Replaced By	Status	Part Description
001	Y052634	<a href="#">701719</a>		Nut, Hex
002	<a href="#">Y052721</a>			Nut, Terminal Block Plate
003	<a href="#">Y052740</a>	<a href="#">62739</a>		Nut, Lock
004	203188		Not Available	TIMER ACCESS DOOR (WHT)
005	203188L		Not Available	ACCESS DOOR-ALMOND
006	203188M		Not Available	ACCESS DOOR-HARVEST WHEAT
NI	NLA		Not Available	MTG. STRAP---NA
008	205423	<a href="#">208883</a>		Coin Box K
009	205423L	<a href="#">208883</a>		Coin Box K
010	205423M	<a href="#">208883</a>		Coin Box K
011	206956	<a href="#">22001405</a>		Case, Coin Slide
012	206956L	<a href="#">22001405</a>		Case, Coin Slide
013	206956M	<a href="#">22001405</a>		Case, Coin Slide
014	<a href="#">211065</a>			Spring, Index Wheel
015	211168	<a href="#">W10139210</a>		Screw, 8-18 X 5/16

016	<a href="#">211790</a>			Lock Ring For Timer Shaft
017	<a href="#">211294</a>	<a href="#">90767</a>		Screw, 8A X 3/8 HeX Washer Head Tapping
018	212328	<a href="#">W10139762</a>		Hex Nut, 3/4-27
019	212707	<a href="#">3196385</a>		Screw
020	213750	<a href="#">W10133266</a>		Cam-Lock
021	<a href="#">214648</a>			Decal, Coinage
022	<a href="#">214660</a>			Gasket, Control Center
023	<a href="#">215559</a>			Bolt, Coin Slide Locking
024	<a href="#">305796</a>			Timer
025	<a href="#">305797</a>			Torsion Timer Assembly Complete
026	305798		Not Available	BYPASS SWITCH FOR MOTOR
027	<a href="#">Y305799</a>			Bypass Switch For Heater
028	<a href="#">305800</a>			Wire Harness For Timer
029	<a href="#">305813</a>			Part Not Available Part Not Used
030	<a href="#">305870</a>			Timer Motor
031	<a href="#">306104</a>			Actuator Switch Kit
032	<a href="#">Y312270</a>			Clip, Spring Retainer
033	314330		Not Available	DRIVER FOR INDEX WHEEL (NOT INCLUDED W/KIT)
034	<a href="#">314331</a>			Spring, Torsion Return
035	<a href="#">314332</a>			Spring, Actuator
036	<a href="#">314333</a>			Timer Mounting Bracket
037	<a href="#">314334</a>			Bracket For Coin Slide
038	<a href="#">314335</a>			Peg, Tine Adjustment
039	314337	<a href="#">33002968</a>		Slider
040	<a href="#">314339</a>			Switch And Slider Bracket
NI	NLA		Not Available	HELICAL SPRING ----N
"	NLA		Not Available	INSTRUCTION LABEL
"	NLA		Not Available	SCREW
"	NLA		Not Available	STOP FOR TIMER MECHANISM
045	<a href="#">314546</a>			Wheel, Index
046	314547	<a href="#">Y308109</a>		Slide And Adj. Return Bracket
047	314548	<a href="#">33002967</a>		Actuator, Switch
048	<a href="#">910309</a>			Washer, Mounting Strap
049	<a href="#">910387</a>			Lockwasher, Vault Assembly
050	910708	<a href="#">488234</a>		Screw 8-32 X 1/4