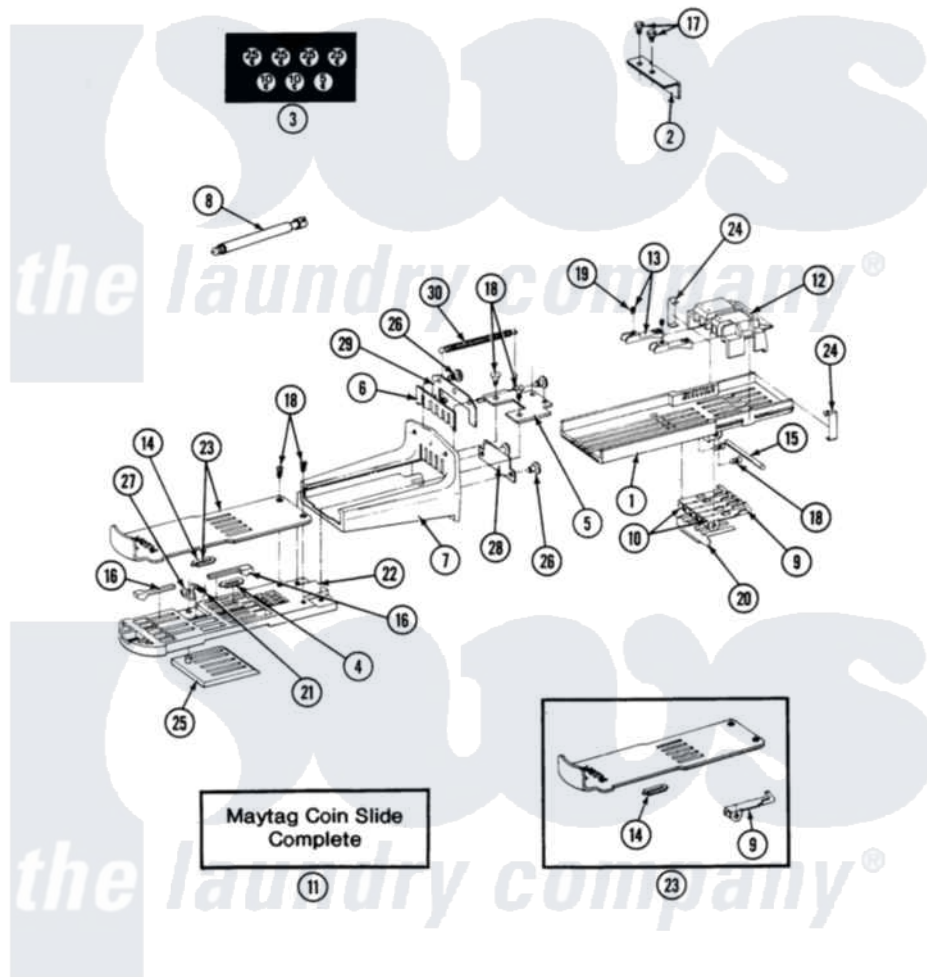


Maytag GDE26CS 03 - MAYTAG COIN SLIDE-ACCESSORY

MODEL DE-DG26CS MAYTAG COIN SLIDE ACCESSORY



Maytag [Commercial Maytag GDE26CS Dryer Parts](#) Parts Diagram 03 - MAYTAG COIN SLIDE-ACCESSORY
 Click on the part number to view part

Item	Original Part Number	Replaced By	Status	Part Description
001	214594		Not Available	BASE INSERT FOR HOUSING
002	314334			Bracket For Coin Slide
003	214648			Decal, Coinage
004	NLA		Not Available	DIME INSERT
005	NLA		Not Available	END BRACKET, SLIDE
006	214578			Gate For Coin Opening
007	214584		Not Available	HOUSING FOR COIN SLIDE
008	213035			Bolt, Locking
009	NLA		Not Available	LOWER GAGE ARM
010	205343		Not Available	LOWER GAGE ARM ASSEMBLY
011	NLA		Not Available	MAYTAG COIN SLIDE
012	NLA		Not Available	MEASURING BLOCK ASSEMBLY
013	NLA		Not Available	MOVABLE COIN GAGE
014	NLA		Not Available	NICKEL INSERT

015	NLA	Not Available	PIN, LOWER GAGE ARM
016	NLA	Not Available	PLUG, COIN OPENING
017	212707	3196385	Screw
018	214597		Screw
019	NLA	Not Available	SET SCREW, GAGE
020	214596		Spring For Lower Gage Arm
021	214582		Spring For Ratchet Arm
022	NLA	Not Available	SLIDE BODY
023	NLA	Not Available	SLIDE PLATE W/NICKEL INSERT
024	214589		Clip, Spring
025	205350		Stop Block Assembly
026	NLA	Not Available	STUD, COIN SLIDE
027	214572	Not Available	ARM, RATCHET
028	NLA	Not Available	RETAINER, GAGE SPRING
029	NLA	Not Available	RETAINER, GATE
030	214581		Spring, Return

