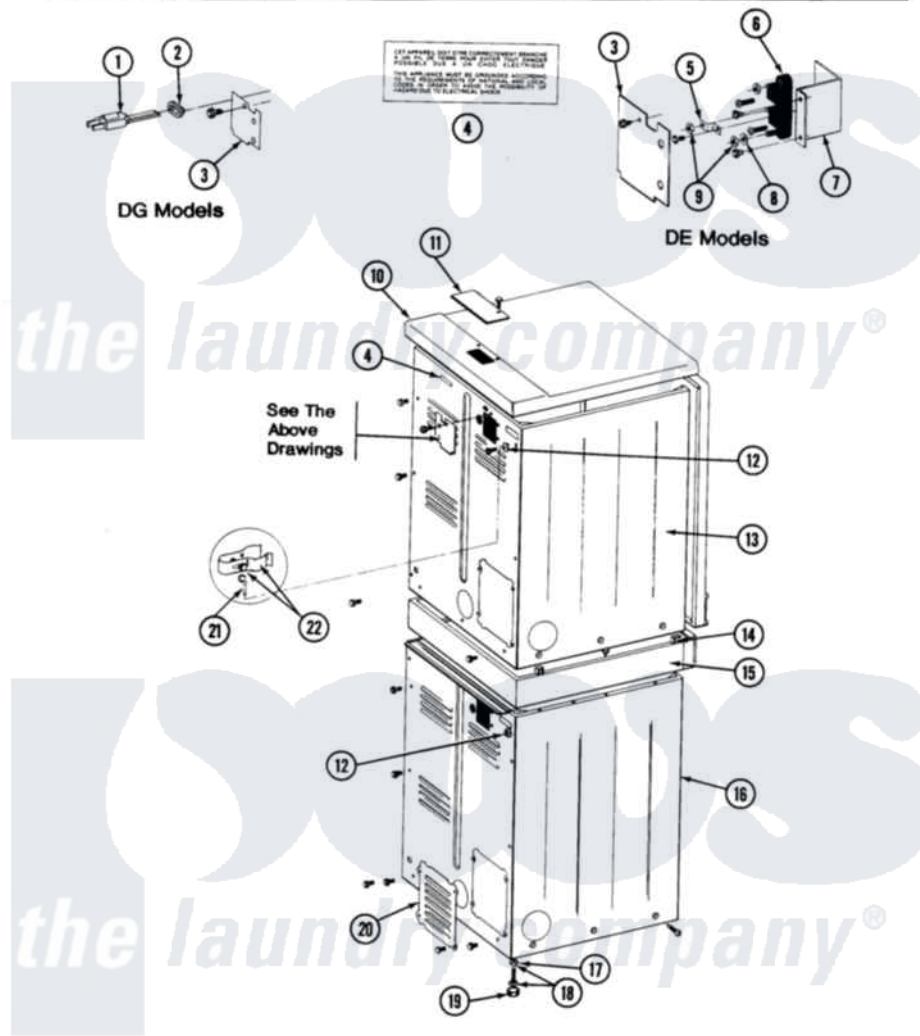


# Maytag GDE27CA 02 - REAR VIEW

SECTION: REAR VIEW  
MODEL: DE-DG27CA



Issue Date: 10/90

Maytag [Commercial Maytag GDE27CA Dryer Parts](#) Parts Diagram 02 - REAR VIEW  
Click on the part number to view part

Item	Original Part Number	Replaced By	Status	Part Description
001	302521		Not Available	CORD, POWER PART NOT USED-GAS MODELS ONLY
002	<a href="#">211881</a>			Grommet, Cord Part Not Used-Gas Models Only
003	<a href="#">Y313561</a>			Screw---NA
"	Y312905		Not Available	COVER, TERMINAL
004	<a href="#">214519</a>			LABEL, ELECTRICAL INSTR. PART NOT USED-GAS MODELS ONLY
005	Y311423	<a href="#">489483</a>		Screw 10-32 X 1/2
"	<a href="#">Y312184</a>			Strap, Grounding
006	<a href="#">400008</a>			Block, Terminal
"	<a href="#">Y312209</a>	<a href="#">W10001200</a>		Screw
007	<a href="#">Y313561</a>			Screw---NA
"	<a href="#">Y312904</a>			Bracket, Terminal Block
008	<a href="#">Y311270</a>			Washer, Terminal Block
009	<a href="#">311484</a>	<a href="#">112432</a>		Nut
010	<a href="#">307104</a>			Top Cover Assembly

011	NLA		Not Available	COVER PLATE
"	<a href="#">Y313559</a>			Screw
012	NLA		Not Available	SCREW & WASHER ASSY.
013	<a href="#">213007</a>			Xfor Cabinet See Cabinet, Back
"	NLA		Not Available	CABINET (WHT)
"	Y310632	<a href="#">1163839</a>		Screw
014	310933	<a href="#">33002194</a>		Nut, Speed
015	NLA		Not Available	SUPPORT ASSY
"	Y310632	<a href="#">1163839</a>		Screw
016	<a href="#">213007</a>			Xfor Cabinet See Cabinet, Back
"	<a href="#">Y313561</a>			Screw---NA
"	NLA		Not Available	CABINET, LOWER (WHITE)
"	Y310632	<a href="#">1163839</a>		Screw
017	<a href="#">210385</a>			Lock Nut For Adjustable Leg
018	Y302699	<a href="#">22003428</a>		Leg, Adjustable
019	<a href="#">210684</a>			Foot, Adjustable Leg
020	<a href="#">211294</a>	<a href="#">90767</a>		Screw, 8A X 3/8 HeX Washer Head Tapping
"	<a href="#">Y313561</a>			Screw---NA
"	Y312951		Not Available	ACCESS COVER, BACK
021	<a href="#">301548</a>			Clamp, Ground Wire
"	<a href="#">313122</a>			Screw - Baffle To Tumbler
022	<a href="#">311155</a>			Ground Wire And Clamp

*the laundry company®*

*the laundry company®*