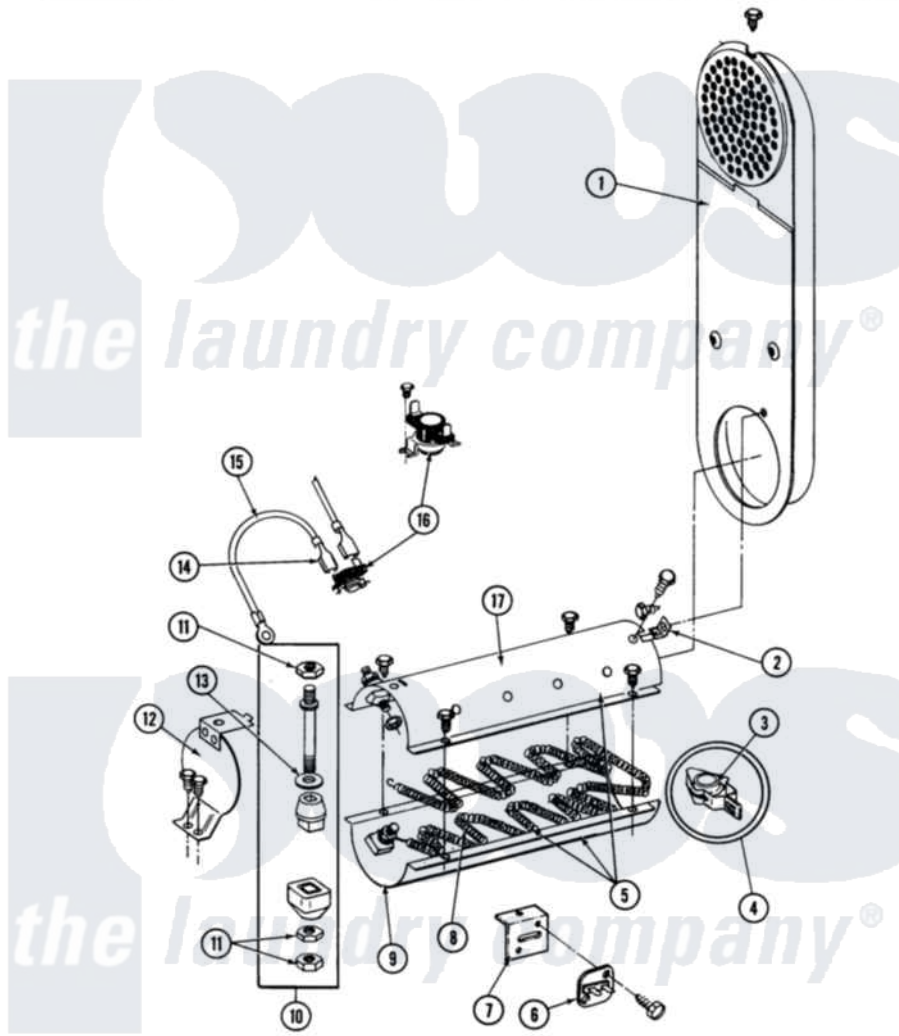


Maytag GDE27CT 02 - INLET DUCT & HEATER ASSEMBLY

SECTION: INLET DUCT & HEATER ASSEMBLY
 MODEL: DE MODELS



Issue Date: 10/90

32

Maytag [Commercial Maytag GDE27CT Dryer Parts](#) Parts Diagram 02 - INLET DUCT & HEATER ASSEMBLY
 Click on the part number to view part

Item	Original Part Number	Replaced By	Status	Part Description
001	211294	90767		Screw, 8A X 3/8 HeX Washer Head Tapping
"	NLA		Not Available	INLET DUCT ASSY.
002	211294	90767		Screw, 8A X 3/8 HeX Washer Head Tapping
"	Y312890			Retainer, Heater Chamber
003	Y313270			Insulator For Heater Elemen
004	Y303881			Clip And Insulator Assembly
005	211294	90767		Screw, 8A X 3/8 HeX Washer Head Tapping
"	307470	Y303778		Heater Assembly Complete
"	307471			Heater Assembly Complete
006	307473			Fuse, Thermal
"	NLA		Not Available	SCREW
007	211294	90767		Screw, 8A X 3/8 HeX Washer Head Tapping
"	315046			MOUNTING BRACKET
008	Y304837	W10116793		Element

"	Y313537		Heater Element 240 Volt
009	Y313576		Heater Chamber, Bottom
010	Y304596		Terminal Insulator Assembly
011	311484	112432	Nut
012	211294	90767	Screw, 8A X 3/8 HeX Washer Head Tapping
"	304124	Not Available	HEATER SHIELD
013	311093		Washer, Terminal Connection
014	210745		Wire Terminal
015	Y304693		Jumper Wire
016	211294	90767	Screw, 8A X 3/8 HeX Washer Head Tapping
"	303396		Thermostat, Hi-Limit
"	303896		Hi-Limit Thermostat-Canada
017	211294	90767	Screw, 8A X 3/8 HeX Washer Head Tapping
"	Y313575	Not Available	HEATER CHAMBER, TOP

