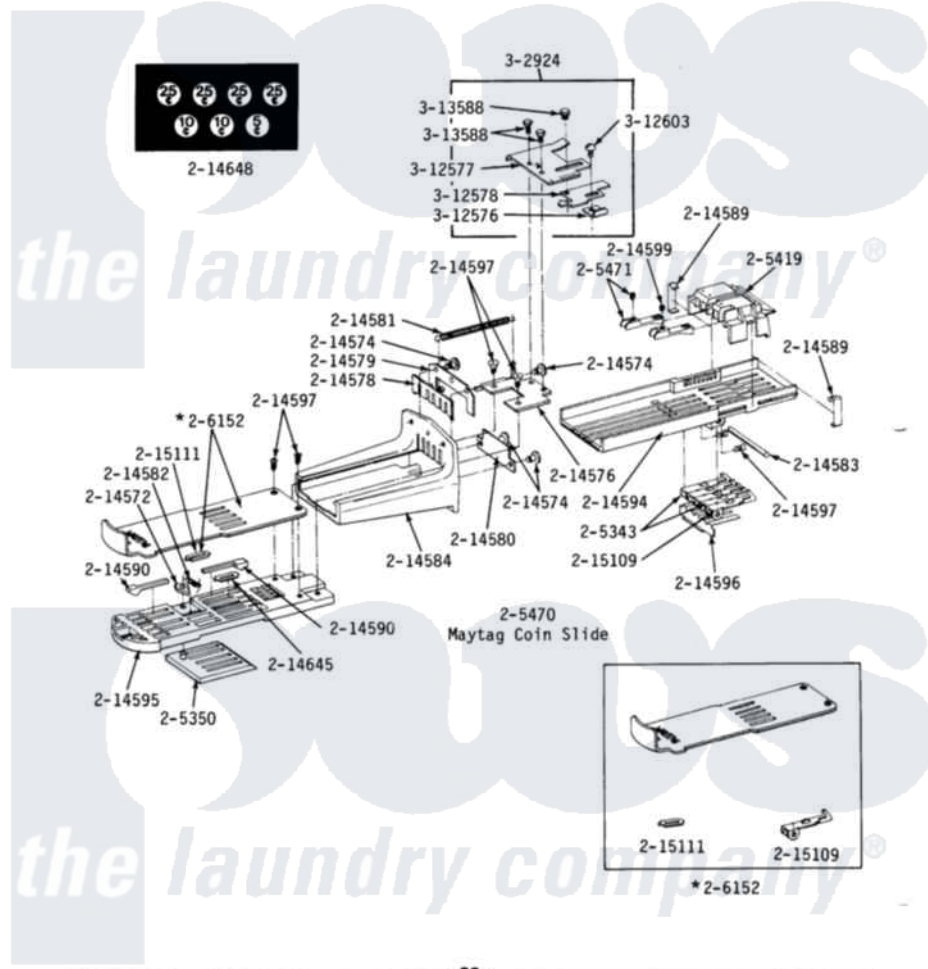


DE-DG18CM-CS MAYTAG COIN SLIDE



Maytag [Commercial Maytag GDG18CM Dryer Parts](#) Parts Diagram 07 - MAYTAG COIN SLIDE  
 Click on the part number to view part

Item	Original Part Number	Replaced By	Status	Part Description
001	205343		Not Available	LOWER GAGE ARM ASSEMBLY
002	<a href="#">205350</a>			Stop Block Assembly
NI	NLA		Not Available	MEASURING BLOCK ASSEMBLY
"	NLA		Not Available	MAYTAG COIN SLIDE
"	NLA		Not Available	MOVABLE COIN GAGE
"	NLA		Not Available	SLIDE PLATE W/NICKEL INSERT
007	214572		Not Available	ARM, RATCHET
NI	NLA		Not Available	STUD FOR COIN SLIDE
"	NLA		Not Available	END BRACKET FOR SLIDE
010	<a href="#">214578</a>			Gate For Coin Opening
NI	NLA		Not Available	RETAINER FOR GATE
"	NLA		Not Available	RETAINER FOR GAGE SPRING
013	<a href="#">214581</a>			Spring, Return
014	<a href="#">214582</a>			Spring For Ratchet Arm

NI	NLA	Not Available	PIN FOR LOWER GAGE ARM
016	214584	Not Available	HOUSING FOR COIN SLIDE
017	<a href="#">214589</a>		Clip, Spring
NI	NLA	Not Available	PLUG FOR COIN OPENING
019	214594	Not Available	BASE INSERT FOR HOUSING
NI	NLA	Not Available	SLIDE BODY
021	<a href="#">214596</a>		Spring For Lower Gage Arm
022	<a href="#">214597</a>		Screw
NI	NLA	Not Available	SET SCREW FOR GAGE
"	NLA	Not Available	DIME INSERT
025	<a href="#">214648</a>		Decal, Coinage
NI	NLA	Not Available	LOWER GAGE ARM
"	NLA	Not Available	NICKEL INSERT
028	Y302924	Not Available	ACTUATOR KIT-DRYER SLIDES
029	<a href="#">Y312576</a>		Zero Slide Adjustment
030	<a href="#">Y312577</a>		Bracket For Slide
031	<a href="#">Y312578</a>		Slide Adjustment
NI	NLA	Not Available	SCREW ADJUSTMENT ASSEMBLY
033	<a href="#">Y313588</a>	<a href="#">488234</a>	Screw 8-32 X 1/4

