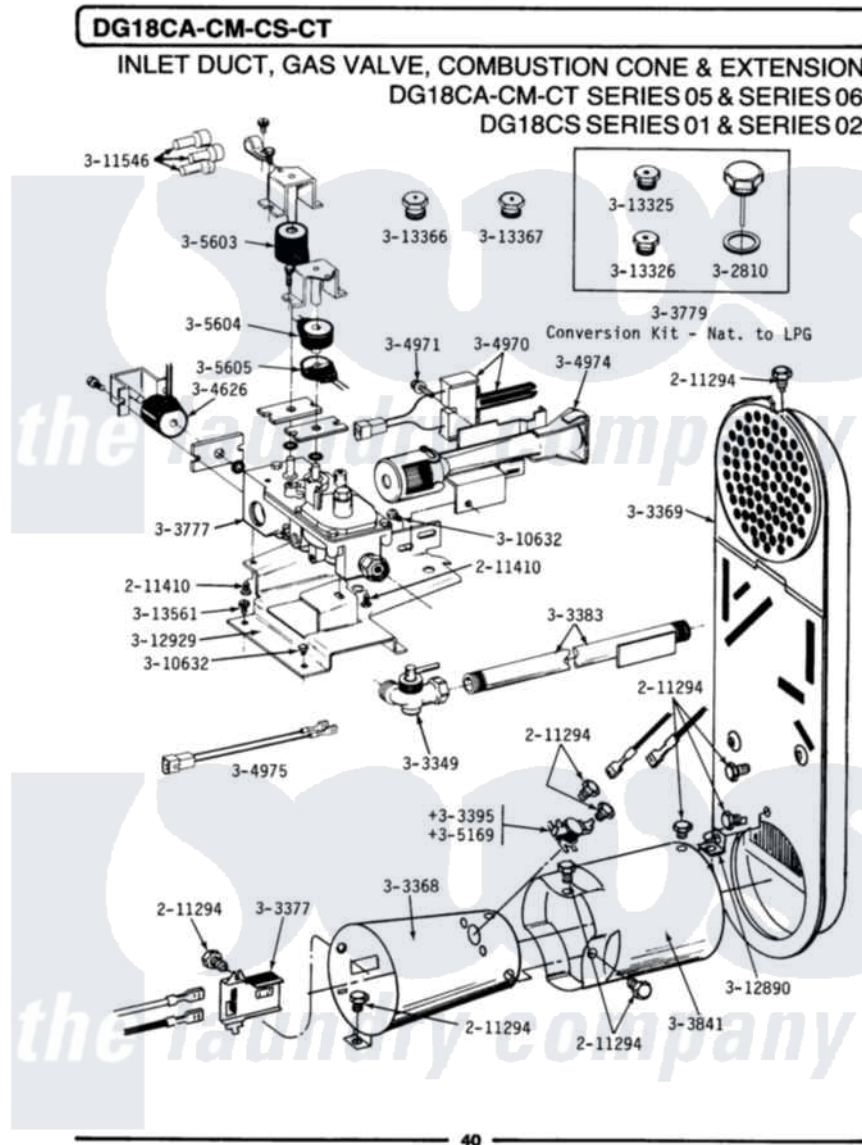


Maytag GDG18CM 15 - INLET DUCT, GAS VALVE, CONE & EXTENSION



Maytag Commercial Maytag GDG18CM Dryer Parts Diagram 15 - INLET DUCT, GAS VALVE, CONE & EXTENSION

Click on the part number to view part

| Item | Original Part Number | Replaced By | Status | Part Description |
|------|-------------------------|---------------------------|---------------|--|
| 001 | 211294 | 90767 | | Screw, 8A X 3/8 HeX Washer Head Tapping |
| NI | NLA | | Not Available | SCREW, HEX HD No.8 X 3/8 INCH |
| " | NLA | | Not Available | SCREW ASSM - BLUE BLOCK OPE |
| 004 | Y303349 | | | Angle Shut-Off, Gas Valve |
| 005 | Y303368 | | | Cone, Combustion |
| 006 | Y303369 | | | Inlet Duct Assembly |
| 007 | Y303377 | 338906 | | Radiant, Sensor |
| 008 | Y303383 | 33001735 | | Pipe And Bracket Assembly Series 18 Not Needed Use Vavle |
| 009 | 303395 | | | Thermostat, Hi-Limit |
| 010 | Y303777 | W10116794 | | Gas Valve |
| 011 | Y303779 | | | Conversion Kit |
| 012 | Y303841 | | | Cone, Extension |
| 013 | Y304626 | | | Side Coil |

| | | | |
|-----|-------------------------|--------------------------|-----------------------------|
| 014 | 304970 | 4391996 | Ignitor |
| 015 | 304971 | | Screw Note: Screw, Igniter |
| 016 | 304974 | 33002793 | Burner Assembly |
| 017 | 304975 | | Gas Valve Harness |
| 018 | 305169 | | Thermostat, Hi-Limit Gas |
| 019 | 305603 | | Secondary Coil |
| 020 | 305604 | | Holding Coil |
| 021 | 305605 | | Booster Coil |
| 022 | Y310632 | 1163839 | Screw |
| 023 | 311546 | 911445 | Wire Connector |
| 024 | Y312890 | | Retainer, Heater Chamber |
| 025 | 312929 | | Gas Valve Bracket |
| NI | NLA | Not Available | MAIN BURNER ORIFICE - LPG |
| " | NLA | Not Available | INTERNAL ORIFICE - LPG |
| 028 | 313366 | | Main Burner Orifice-Ext-NAT |
| 029 | 313367 | | Main Burner Orifice-Int-NAT |
| 030 | Y313561 | | Screw---NA |

