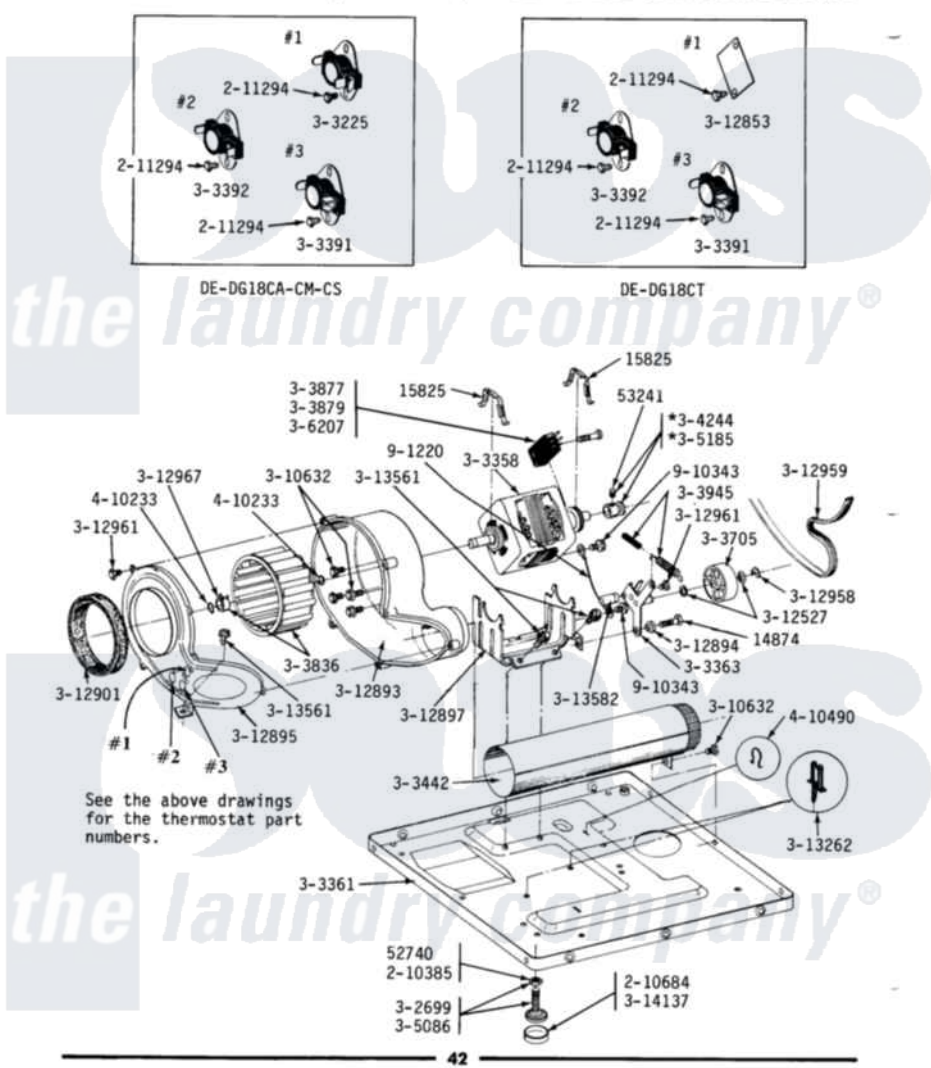


# Maytag GDG18CM 16 - MOTOR, BLOWER, BASE FRAME & THERMOSTATS

## DE-DG18CA-CM-CS-CT MOTOR, BLOWER, BASE FRAME & THERMOSTATS



Maytag Commercial Maytag GDG18CM Dryer Parts Parts Diagram 16 - MOTOR, BLOWER, BASE FRAME & THERMOSTATS

[Click on the part number to view part](#)

Item	Original Part Number	Replaced By	Status	Part Description
001	<a href="#">Y014874</a>			Screw, Idler Arm And Sleeve
002	<a href="#">Y015825</a>			Clip, Motor To Motor Support
003	<a href="#">Y052740</a>	<a href="#">62739</a>		Nut, Lock
004	<a href="#">Y053241</a>			Set Screw, Motor Pulley
005	<a href="#">210385</a>			Lock Nut For Adjustable Leg
006	<a href="#">210684</a>			Foot, Adjustable Leg
007	<a href="#">211294</a>	<a href="#">90767</a>		Screw, 8A X 3/8 HeX Washer Head Tapping
008	Y302699	<a href="#">22003428</a>		Leg, Adjustable
009	<a href="#">Y303225</a>			Thermostat, Permanent Press
010	<a href="#">Y303358</a>	<a href="#">W10410999</a>		Motor-Drive
011	Y303361		Not Available	BASE ASSY. (UPPER & LOWER)
012	Y303363	<a href="#">6-3033630</a>		Idler Arm
013	Y303391	<a href="#">33303391</a>		Thermostat, Cycling

014	<a href="#">303392</a>		Thermostat, Cycling
015	<a href="#">Y303442</a>		EXHAUST DUCT ASSEMBLY
016	Y303705	<a href="#">6-3037050</a>	Pulley- ID
017	<a href="#">Y303836</a>		Blower Wheel Assembly And Clamp
018	Y303877	Not Available	SWITCH, MOTOR EXTERNAL START No.303358-2, No.303358-4, 303358-7
019	<a href="#">Y303879</a>		Switch, Motor External Start
020	<a href="#">Y303945</a>		IDLER SPRING ASSY. W/PLUG
021	<a href="#">Y304244</a>		Motor Pulley With Set Screw
NI	Y304245	<a href="#">W10116792</a>	Pulley-Idl
023	<a href="#">Y305086</a>		Adjustable Leg And Nut
024	Y305185	<a href="#">6-3051850</a>	Pulley- MO
NI	NLA	Not Available	SWITCH, MOTOR START-PROD.
026	Y310632	<a href="#">1163839</a>	Screw
027	<a href="#">Y312527</a>		Washer, Idler Shaft
028	<a href="#">Y312893</a>		Housing, Blower
029	Y312894	<a href="#">315772</a>	Sleeve, Idler Arm
030	Y312895	Not Available	COVER FOR BLOWER---NA
031	NLA	Not Available	SUPPORT, MOTOR
NI	<a href="#">Y312901</a>		Seal, Housing Cover
033	<a href="#">312958</a>	<a href="#">354987</a>	Ring, Retaining
034	<a href="#">Y312959</a>		Poly "V" Belt For Tumbler
035	Y312961	<a href="#">W10116751</a>	Screw
036	<a href="#">312967</a>		Clamp, Blower Housing
037	Y313262	<a href="#">W10116752</a>	Retainer-
038	<a href="#">Y313561</a>		Screw---NA
039	Y313582	<a href="#">W10116756</a>	Spacer
040	<a href="#">Y314137</a>		Foot, Rubber
041	410233	<a href="#">9703438</a>	Ring-Retrn
042	<a href="#">410490</a>		Spring, Retainer Wire Harness
043	<a href="#">901220</a>		Ground Wire
044	910343	<a href="#">488234</a>	Screw 8-32 X 1/4

