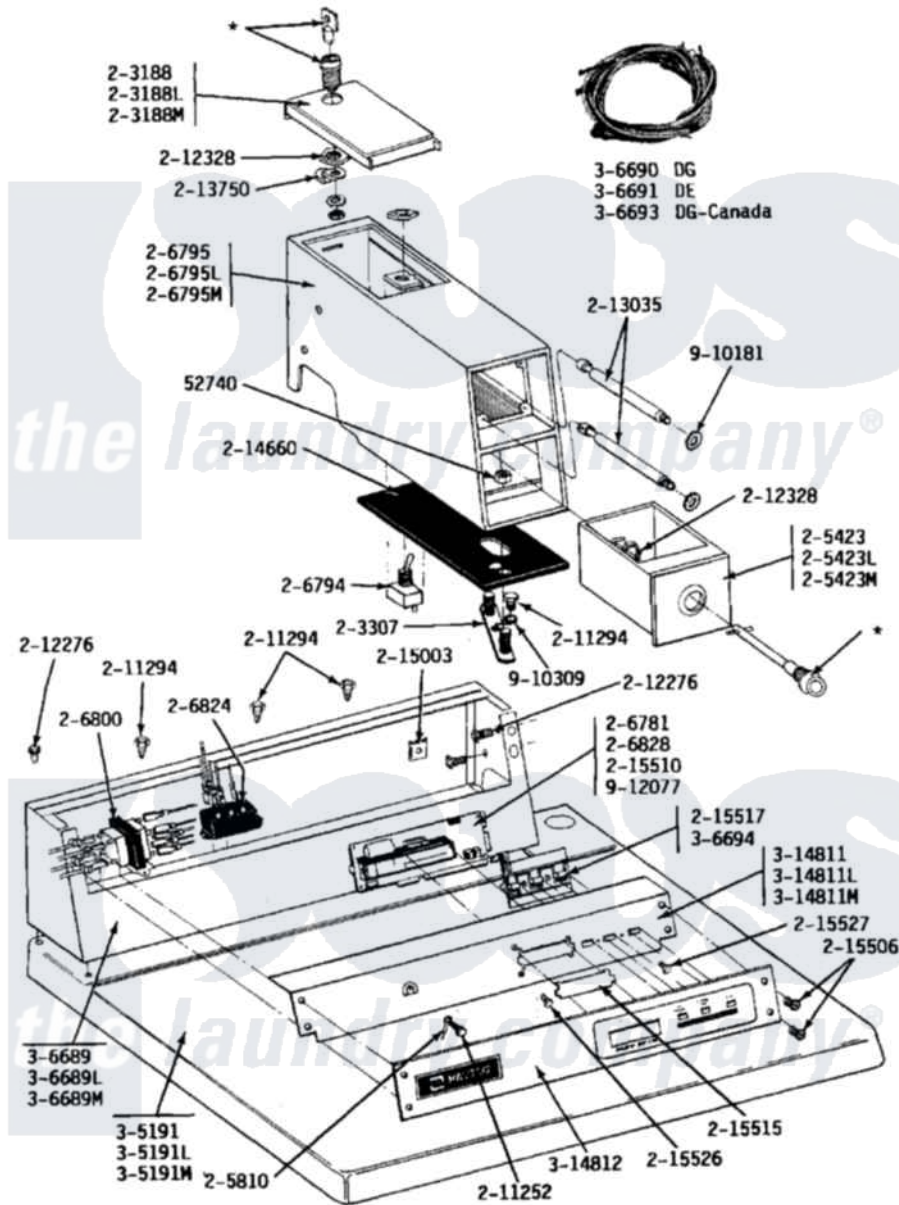


Maytag GDG19CD 01 - CD CONTROL PANEL & CONTROL CENTER



Maytag [Commercial Maytag GDG19CD Dryer Parts](#) Parts Diagram 01 - CD CONTROL PANEL & CONTROL CENTER
 Click on the part number to view part

| Item | Original Part Number | Replaced By | Status | Part Description |
|------|-------------------------|------------------------|---------------|---------------------------|
| 001 | Y052740 | 62739 | | Nut, Lock |
| 002 | 203188 | | Not Available | TIMER ACCESS DOOR (WHT) |
| 003 | 203188L | | Not Available | ACCESS DOOR-ALMOND |
| 004 | 203188M | | Not Available | ACCESS DOOR-HARVEST WHEAT |
| NI | NLA | | Not Available | MTG. STRAP---NA |
| 006 | 205423 | 208883 | | Coin Box K |
| 007 | 205423L | 208883 | | Coin Box K |
| 008 | 205423M | 208883 | | Coin Box K |
| 009 | 205810 | | | Wire, Ground |
| NI | NLA | | Not Available | CIRCUIT BOARD ASSY |
| 011 | 206794 | | Not Available | SWITCH (W/NUT) |
| 012 | 206795 | | Not Available | COIN DROP METER ASSY |
| 013 | 206795L | | Not Available | COIN DROP METER ASSY |
| NI | NLA | | Not Available | COIN DROP METER ASSY |
| 015 | Y206800 | 207766 | | Transformer |

| | | | | |
|-----|------------------------|---------------------------|---------------|---|
| 016 | 206824 | W10133335 | | Relay, Motor |
| 017 | 206828 | | | Battery |
| 018 | 211252 | | | Screw, Ground Wire |
| 019 | 211294 | 90767 | | Screw, 8A X 3/8 HeX Washer Head Tapping |
| 020 | 212276 | W10116760 | | Screw |
| 021 | 212328 | W10139762 | | Hex Nut, 3/4-27 |
| 022 | 213035 | | | Bolt, Locking |
| 023 | 213750 | W10133266 | | Cam-Lock |
| 024 | 214660 | | | Gasket, Control Center |
| 025 | 215003 | | | Fastener, Panel And Bracket |
| 026 | 215506 | | | Screw, Control Panel Overlay |
| 027 | 215510 | | Not Available | SUPPORT, PC BOARD |
| 028 | 215515 | | Not Available | COVER, DISPLAY |
| 029 | 215517 | W10131113 | | Push Button |
| 030 | 215526 | | | Screw, Circuit Board |
| 031 | 215527 | W10140652 | | Screw, 6-20 X 1/2 |
| 032 | Y305191 | | Not Available | TOP COVER-WHITE |
| | NI | NLA | Not Available | TOP COVER-ALMOND |
| | " | NLA | Not Available | TOP COVER-HARVEST WHEAT |
| | " | NLA | Not Available | CONTROL COVER (WHT) |
| | " | NLA | Not Available | CONTROL COVER ASSY---NA |
| | " | NLA | Not Available | CONTROL COVER ASSY |
| | " | NLA | Not Available | WIRE HARNESS |
| | " | NLA | Not Available | WIRE HARNESS |
| 041 | 306694 | | | Backup Plate With Switch |
| | NI | NLA | Not Available | BACK BRACKET, CONTROL PANEL |
| | " | NLA | Not Available | BACK BRACKET FOR CONTROL PANEL |
| | " | NLA | Not Available | BACK BRACKET FOR CONTROL PANEL |
| | " | NLA | Not Available | CONTROL PANEL |
| 046 | 910181 | | | Lockwasher, Terminal Block |
| 047 | 910309 | | | Washer, Mounting Strap |
| 048 | 912077 | | | Locknut, Reader Harness |

