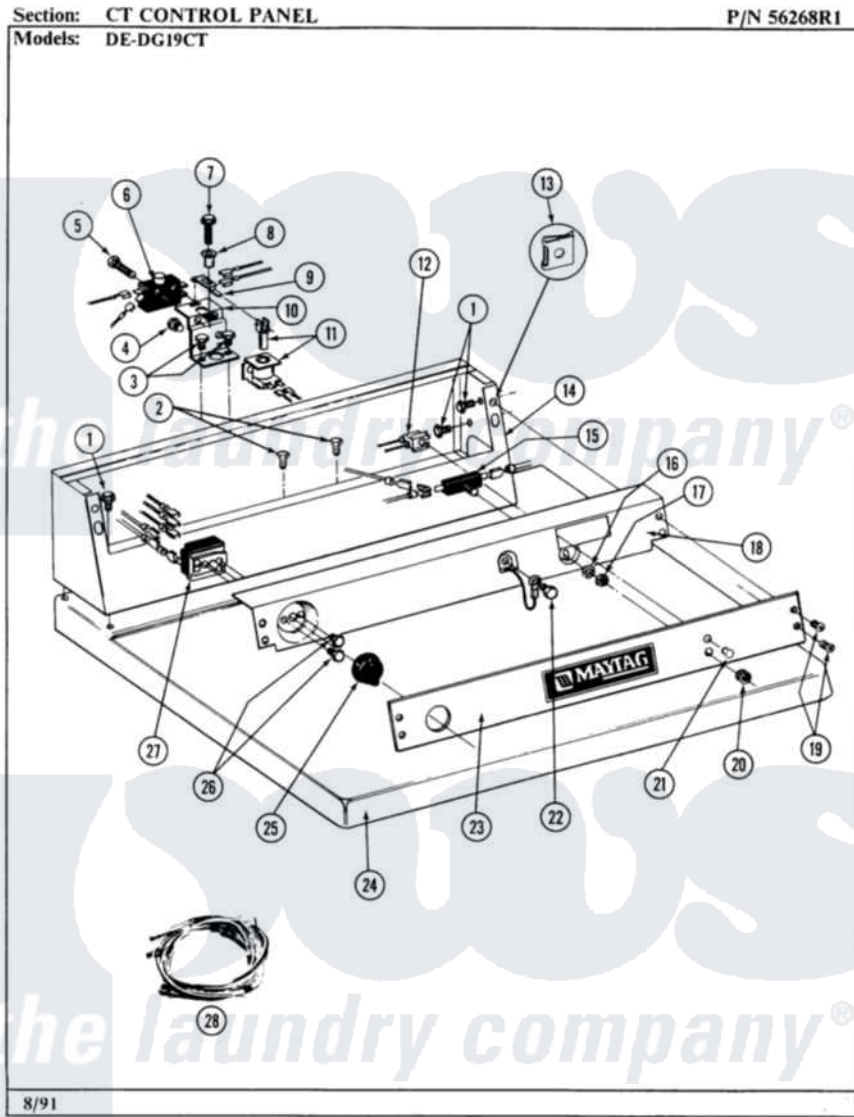


# Maytag GDG19CT 07 - CONTROL PANEL



10

Maytag [Commercial Maytag GDG19CT Dryer Parts](#) Parts Diagram 07 - CONTROL PANEL  
Click on the part number to view part

| Item | Original Part Number   | Replaced By               | Status        | Part Description                          |
|------|------------------------|---------------------------|---------------|---|
| 001  | 212276                 | <a href="#">W10116760</a> |               | Screw                                     |
| 002  | <a href="#">211294</a> | <a href="#">90767</a>     |               | Screw, 8A X 3/8 HeX Washer Head Tapping   |
| "    | Y314322                | <a href="#">211251</a>    |               | Screw, Transformer                        |
| 003  | <a href="#">211294</a> | <a href="#">90767</a>     |               | Screw, 8A X 3/8 HeX Washer Head Tapping   |
| 004  | <a href="#">212951</a> |                           |               | Screw, No.6-32 X 1/4 Inch                 |
| 005  | 212950                 | <a href="#">M0227520</a>  |               | Screw-Tc No.6-32 X 13/16", Preform SwiTch |
| 006  | Y303787                |                           | Not Available | SWITCH FOR RELAY                          |
| 007  | 212949                 | <a href="#">22001866</a>  |               | Screw, Relay                              |
| 008  | NLA                    |                           | Not Available | SPACER, ADVANCE RELAY                     |
| 009  | NLA                    |                           | Not Available | SPRING LEVER, RELAY                       |
| 010  | NLA                    |                           | Not Available | RELAY BRACKET                             |
| 011  | <a href="#">305393</a> |                           |               | Solenoid For Relay Assembly               |
| 012  | NLA                    |                           | Not Available | PILOT LIGHT                               |
| 013  | <a href="#">215003</a> |                           |               | Fastener, Panel And Bracket               |

|     |                         |                        |                             |
|-----|-------------------------|------------------------|-----------------------------|
| 014 | <a href="#">305213</a>  |                        | Console-White               |
| "   | NLA                     | Not Available          | (ALM)                       |
| 015 | <a href="#">Y303318</a> |                        | Switch Assembly With Hex Nu |
| 016 | <a href="#">312751</a>  |                        | Lockwasher, Start Switch    |
| 017 | Y312706                 | <a href="#">422617</a> | Nut                         |
| 018 | NLA                     | Not Available          | BACK UP PLATE (WHT)         |
| 019 | <a href="#">212277</a>  |                        | Screw, No.8 X 1/2 Inch      |
| 020 | <a href="#">Y312702</a> |                        | Knurled Nut, Start Switch   |
| 021 | <a href="#">213099</a>  |                        | Lens For Control Panel      |
| 022 | <a href="#">211252</a>  |                        | Screw, Ground Wire          |
| 023 | NLA                     | Not Available          | CONTROL PANEL               |
| 024 | NLA                     | Not Available          | (ALM)                       |
| "   | Y305191                 | Not Available          | TOP COVER-WHITE             |
| 025 | <a href="#">205663</a>  |                        | Knob For Selector Switch    |
| 026 | <a href="#">Y313588</a> | <a href="#">488234</a> | Screw 8-32 X 1/4            |
| 027 | Y303420                 | Not Available          | SELECTOR SWITCH             |
| 028 | NLA                     | Not Available          | MAIN WIRE HARNESS           |

